

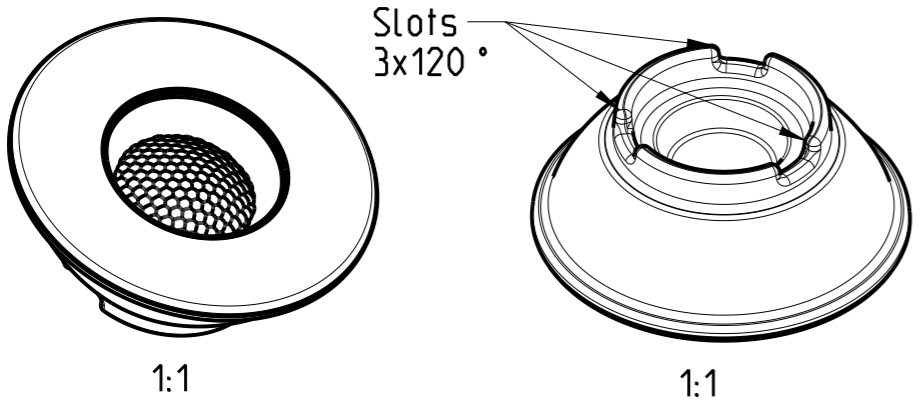

 Quality checked
 Constructional dimension
 Dimension for information only



New revision	09-Nov-15	Günter
Replaces concept drawing ae135_000_002_313	16-Sep-14	Günter
Modification	Date	Name

Scale	5:1 (1:1)	Material	SUPRAX® 8488	43g	Tolerances unless otherwise specified are ±1%, but minimum ±0.5 mm				
Date	09-Dec-14	Name	Günter	Lens JDR 50					
Checked	09-Nov-15	Final part number (SAP)		150 0654					
		Auer Lighting GmbH Hildesheimersstrasse 35 D-37581 Bad Gandersheim Tel: +049 (0)5382 / 701-0 www.auer-lighting.com		Drawing number	71472_000_001_413	Version	01	Project	71472
This drawing is our property. Multigraphing and sending copies to third parties is punishable, bound to claim for damages and prosecution. (Copyright law, law against unfair competition, BGB). All rights reserved for patent application (§7 PG) or registered design (§5 GMG).									

