

1

2

3

4

A

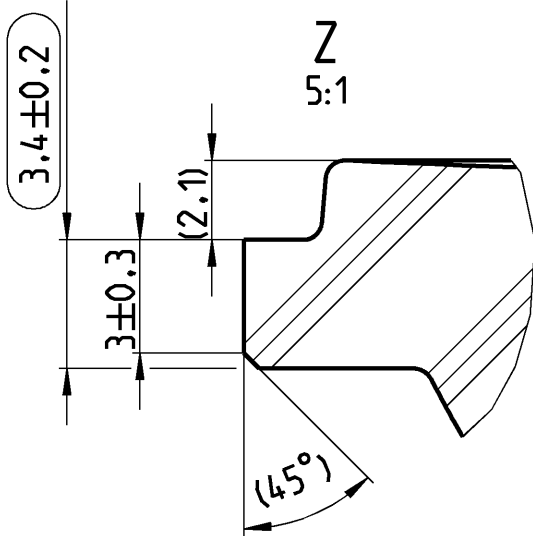
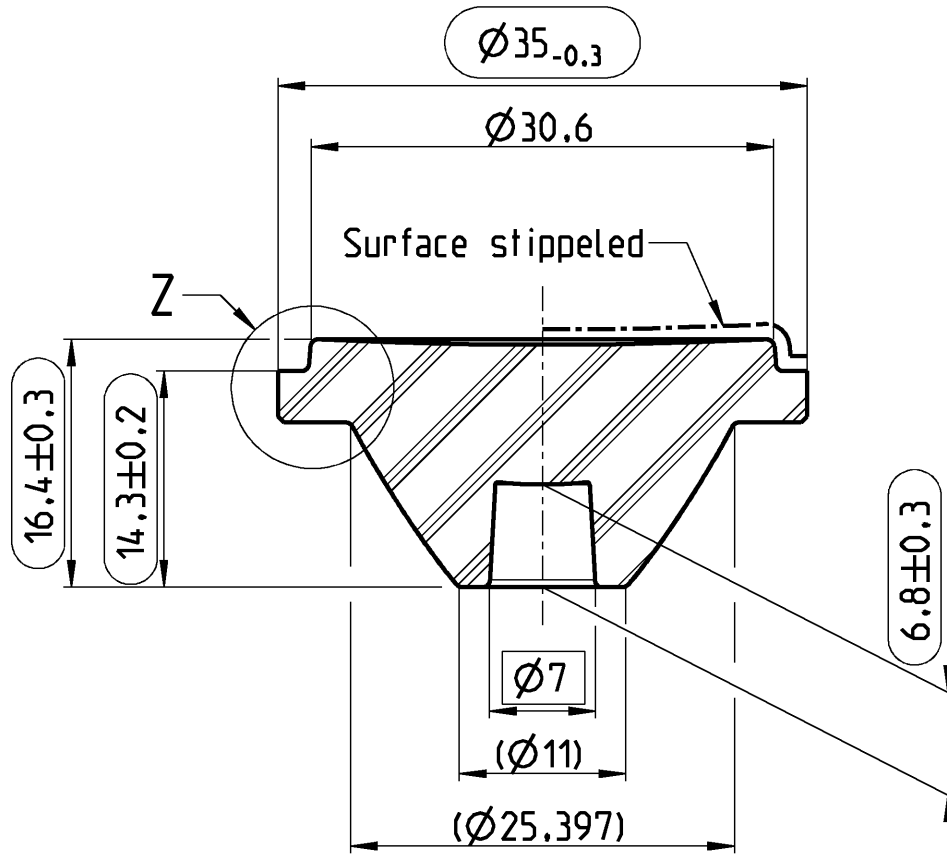
B

C

D

E

F



Scale		Material	
2:1 (5:1)		SUPRAX® 8488	
Date		Name	
14-Aug-13		Günter	
Checked		12-Nov-13	

Tolerances unless otherwise specified are $\pm 1\%$, but minimum ± 0.5 mm

Glass Flat-TIR Lens for LED
Cavity 7 mm, Spot 12°
"Bern"

Final part number (SAP) 149 3490



Auer Lighting GmbH
Hildesheimerstrasse 35
D-37581 Bad Gandersheim
Tel: +049 (0)5382 / 701-0
www.auer-lighting.com

Drawing number 71115r_000_002_r03 Version 02 Project 71115r

Auer Standard

