

LED Glass Lens "JDR 50" Beam Angle 20°



Material number: 1500654

Glass- Material: SUPRAX® 8488
Borosilicate Glass

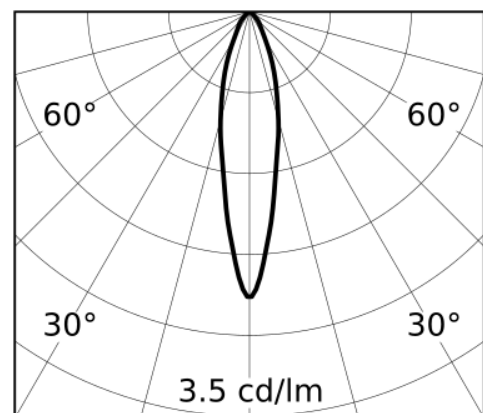
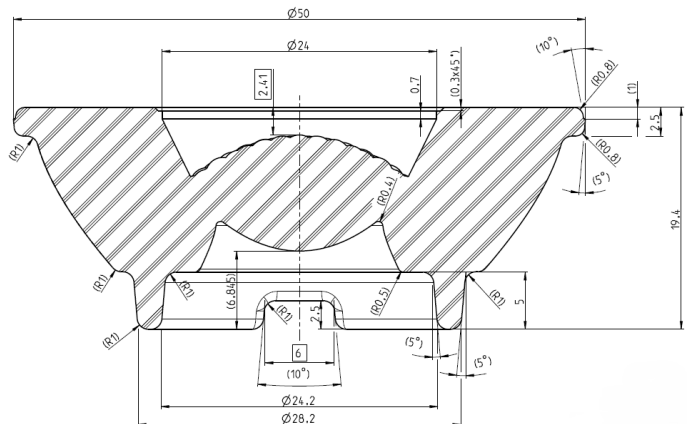
Diameter: 50,0 mm
Height: 19,4 mm

Packing unit: 1 pc

Weight: 43 g
Operating temperature: up to 400°C

Optics:

Beam Angle: 20°
Field Angle: 59°
CBCP: 2,2 cd/lm
LES: 7 mm
Applicable LEDs: Osram, Cree, Nichia, Bridgelux, Citizen



Customs tariff number: 70140000