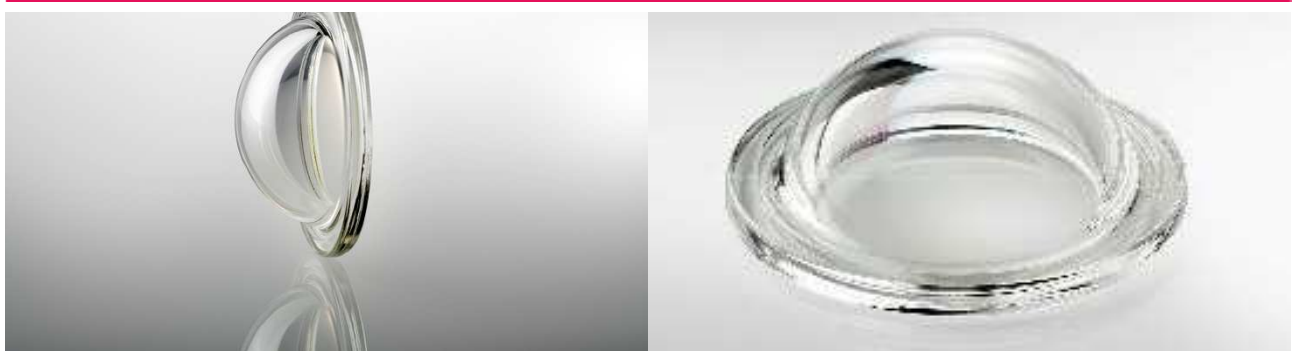


LED COVER DOME “BLANK” – Ø 33 MM AR COATED (ANTIREFLECTION COATING)



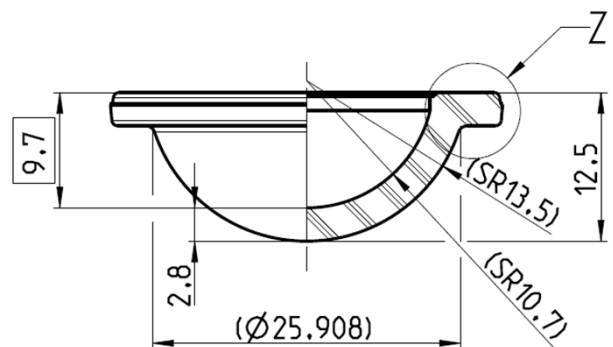
Material number: 1484722

Lens-material: SUPRAX® 8488
Borosilicate Glass
Diameter: 33,0 mm +/- 0,3 mm
Height: 12,5 mm +/- 0,5 mm

Packing unit: 1 pc

Weight: approx. 7 g
Operating temperature: up to 400°C
Transmittance: > 98 % (coated)

Applicable LEDs: e.g. Osram Soleriq S19,
Osram Soleriq S13, Osram
Soleriq P9, Osram Soleriq P6,
CREE CXA2530 or
Bridgelux BXRA-30E1200



Customs tariff number: 70060010