

GLASS TIR LENS FOR LED – FLOOD 30° LED CAVITY 7 MM



Material number: 1433208

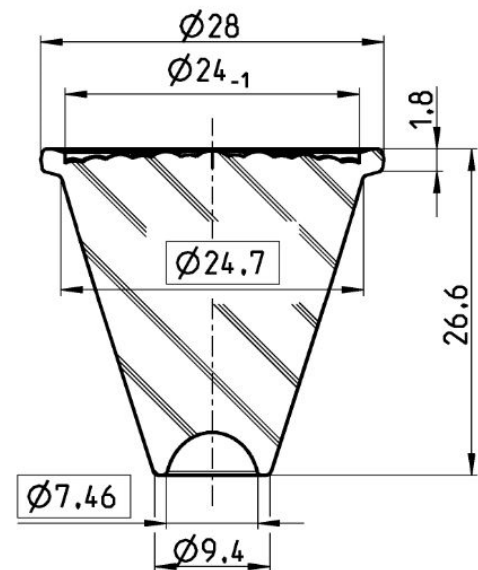
Glass- SUPRAX® 8488
Material: Borosilicate Glass

Diameter: 28 mm +/- 0,5 mm
Height: 26,6 mm +/- 0,5 mm

Packing unit: 1 pc

Weight: approx. 15 g
Operating temperature: up to 400 °C
Transmittance: > 90% (uncoated)

Applicable LED's: e.g. CREE XP-G/MC-E, Seoul
Z-Power, Luxeon Rebel,
Oscon SSL



Customs tariff number: 70140000