

## GLASS TIR LENS FOR LED – FLOOD 25° LED CAVITY 3 MM



**Material number: 1433206**

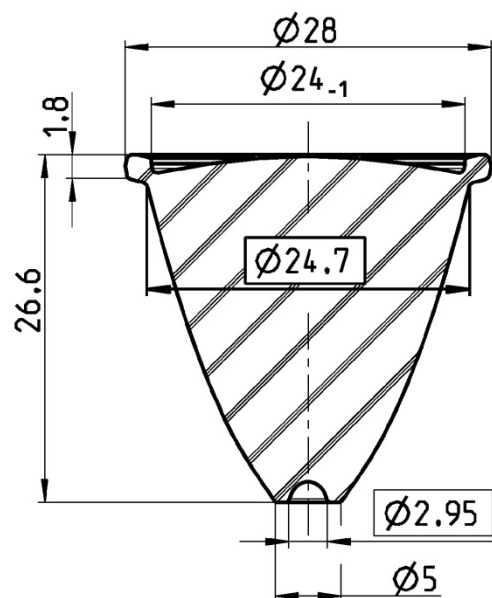
Glass-                    SUPRAX® 8488  
Material:                Borosilicate Glass

Diameter:                28 mm +/- 0,5 mm  
Height:                    26,6 mm +/- 0,5 mm

**Packing unit: 1 pc**

Weight:                    approx. 16 g  
Operating temperature: up to 400°C  
Transmittance:        > 90% (uncoated)

Applicable LED's:     e.g. CREE XP-G/MC-E, Seoul  
Z-Power, Luxeon Rebel,  
Oslon SSL



**Customs tariff number: 70140000**