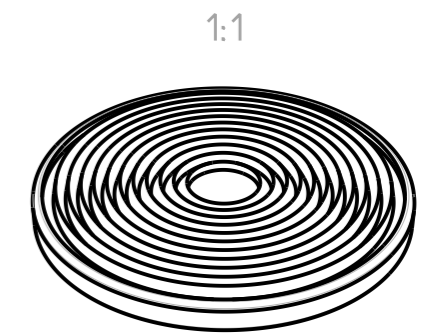
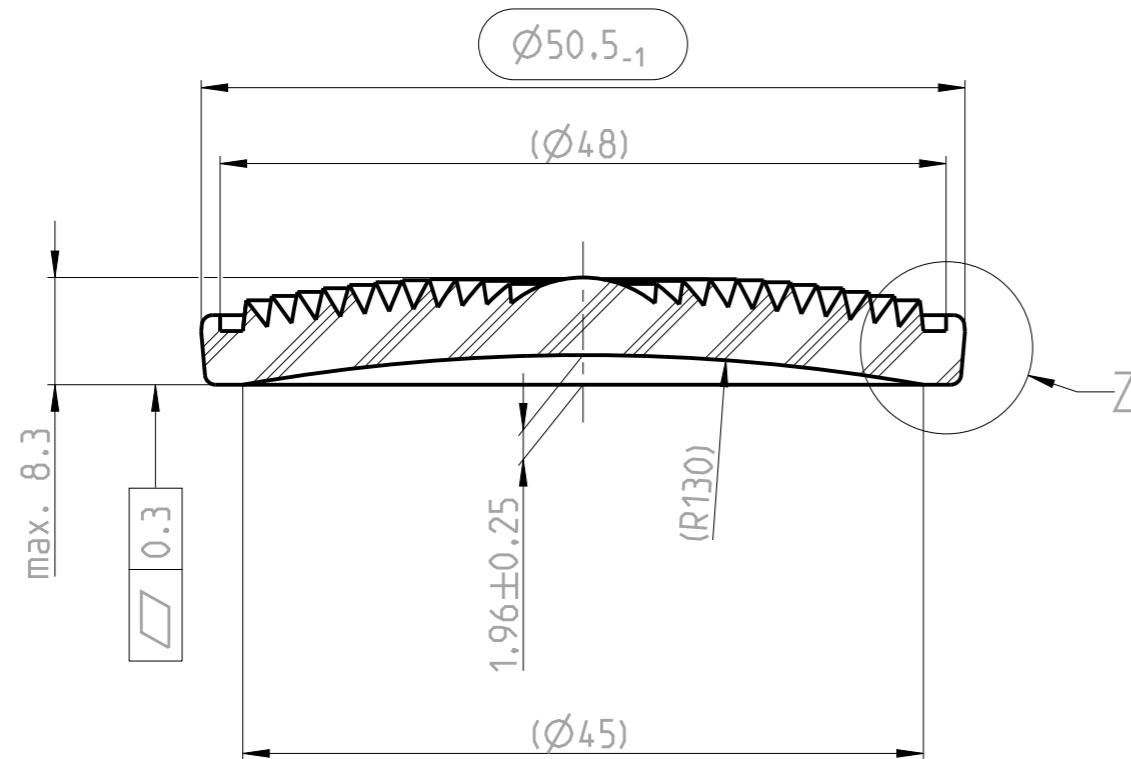
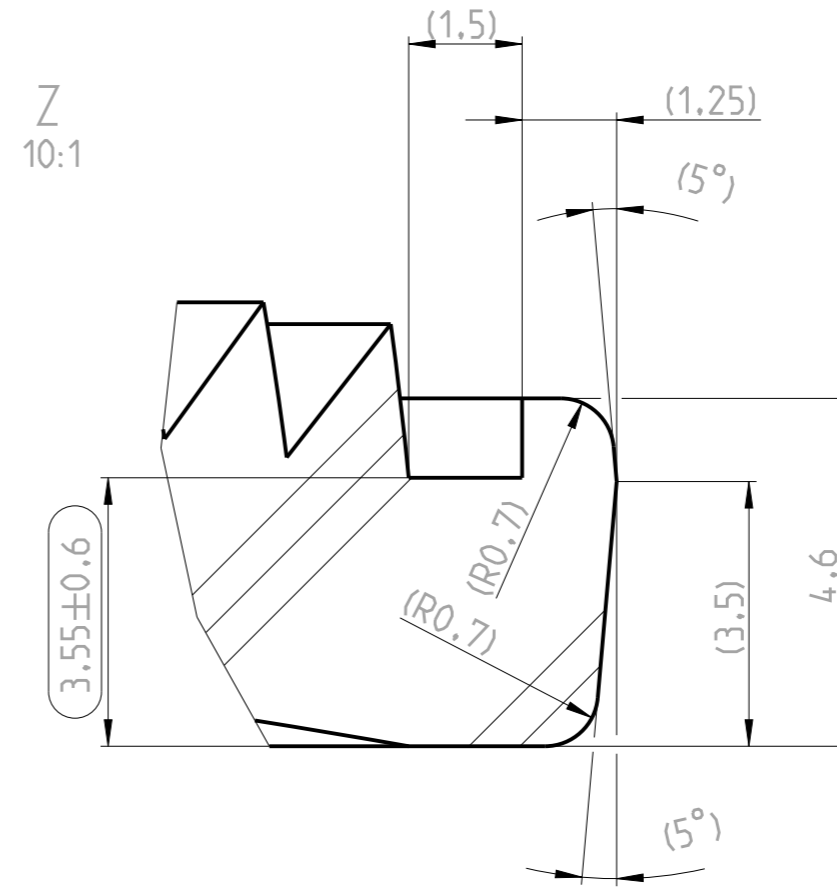

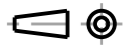


AR coated version SAP No. 1441423



Scale		Material		Tolerances unless otherwise specified are ±1%, but minimum ± 0.5 mm					
2:1 (10:1) (1:1)		Borosilicate glass		20.1g					
Date		Name		LED Fresnel Lens Ø50 / 20°					
Formed 20-Feb-12		Günter							
Checked 07-Mar-12									
				Final part number (SAP) 142 2207					
 Auer Lighting GmbH Hildesheimersstrasse 35 D-37581 Bad Gandersheim Tel: +049 (0)5382 / 701-0 www.auer-lighting.com				Drawing number 71618_000_001_302		Version 01		Project 71618	
				Auer				A3	
This drawing is our property. Multigraphing and sending copies to third parties is punishable, bound to claim for damages and prosecution. (Copyright law, law against unfair competition, BGB). All rights reserved for patent application (§7 PG) or registered design (§5 GMG).									

max. 8.3 was (7.09)	07-Mar-12	Günter
Änderung	Datum	Name