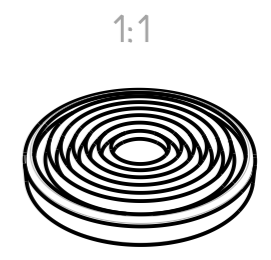
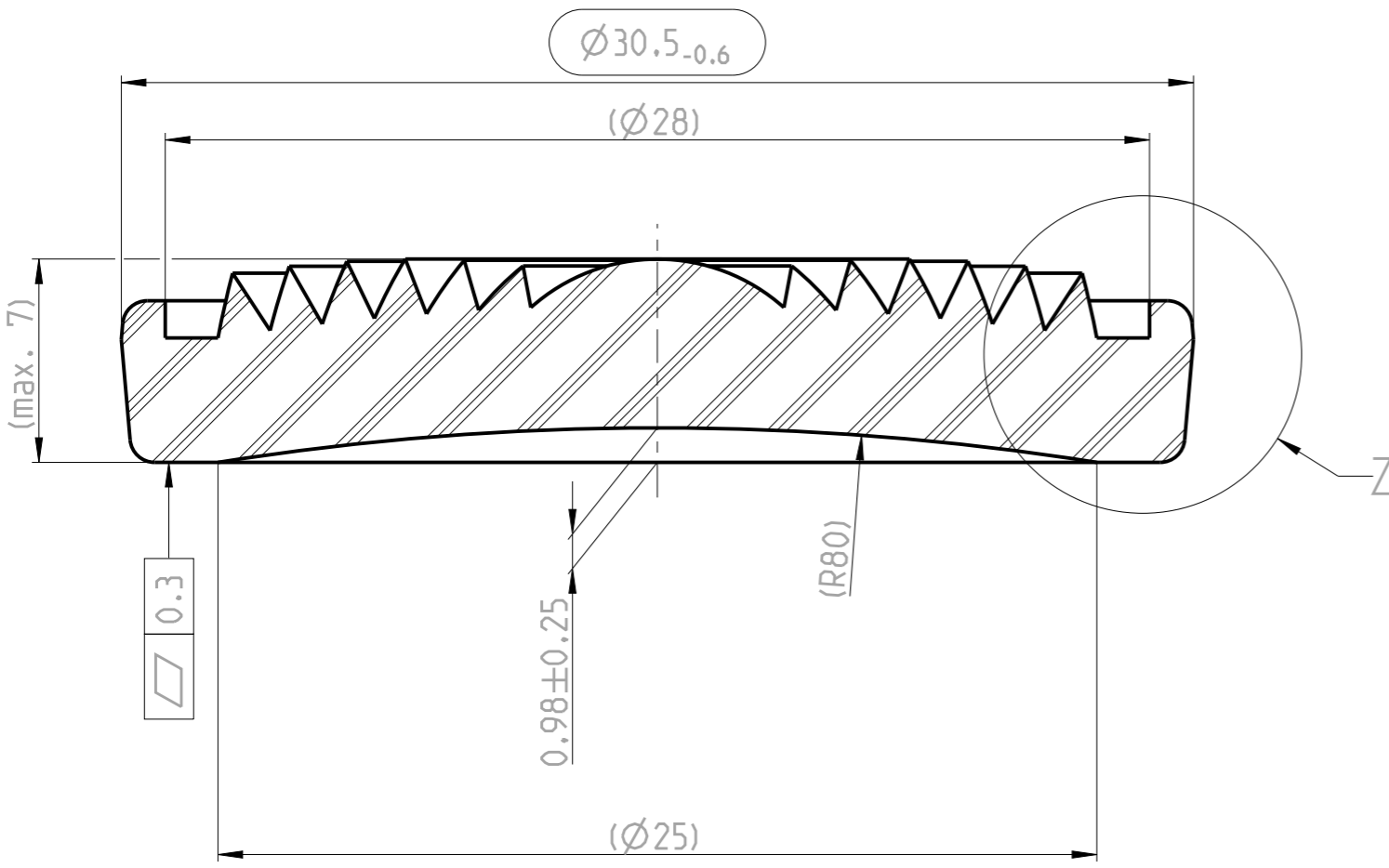
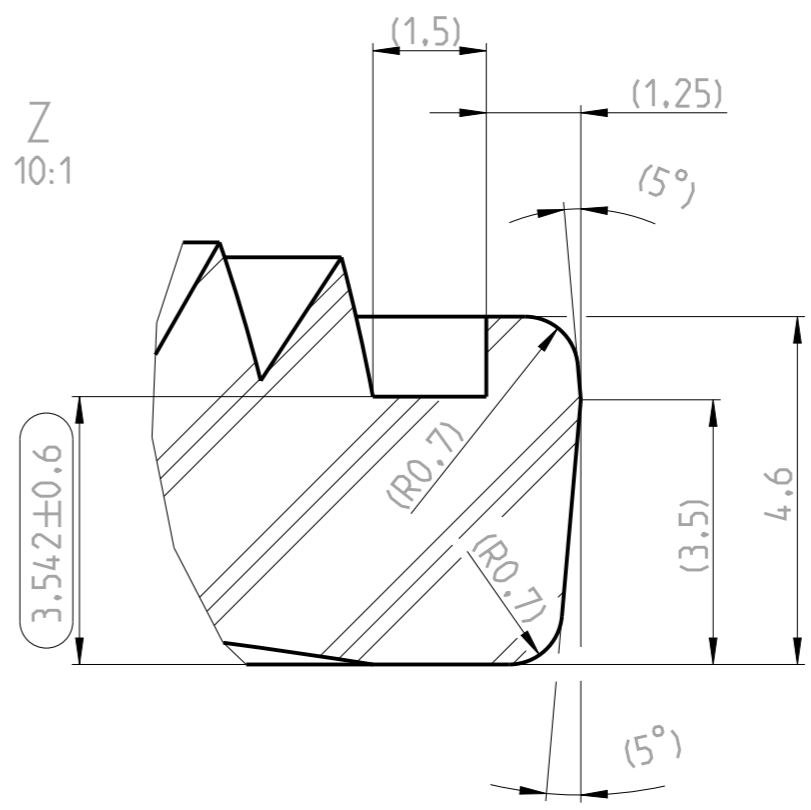
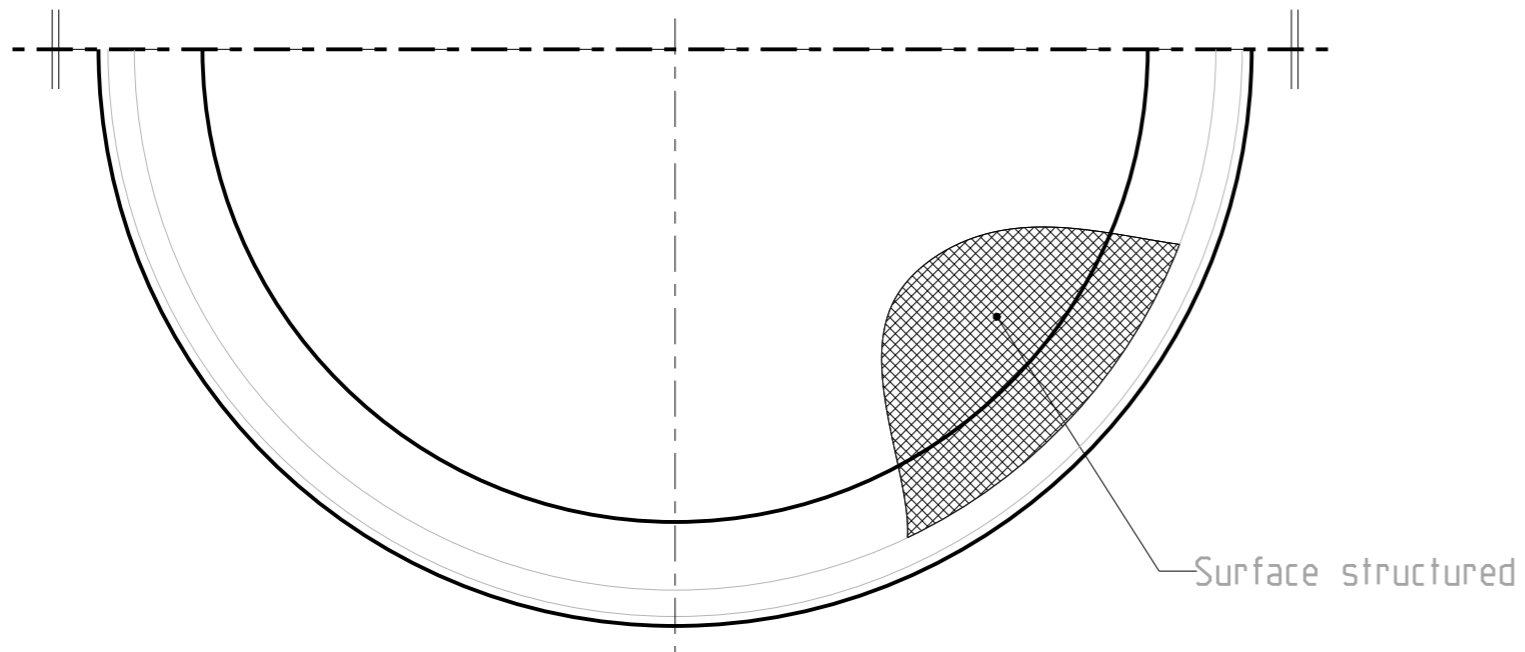


AR coated version SAP No. 1441417



Scale		Material		Tolerances unless otherwise specified are ±1%, but minimum ± 0.5 mm
5:1 (10:1) (1:1)		Borosilicate glass		
Date		Name		LED Fresnel Lens Ø30 / 20°
20-Feb-12		Günter		
Checked		20-Feb-12		
Auer Lighting GmbH Hildesheimersstrasse 35 D-37581 Bad Gandersheim Tel: +049 (0)5382 / 701-0 www.auer-lighting.com		Final part number (SAP)		142 2216
Drawing number		Version		Project
71612_000_000_302		00		71612
Auer		A3		

This drawing is our property. Multigraphing and sending copies to third parties is punishable, bound to claim for damages and prosecution. (Copyright law, law against unfair competition, BGB). All rights reserved for patent application (§7 PG) or registered design (§5 GMG).