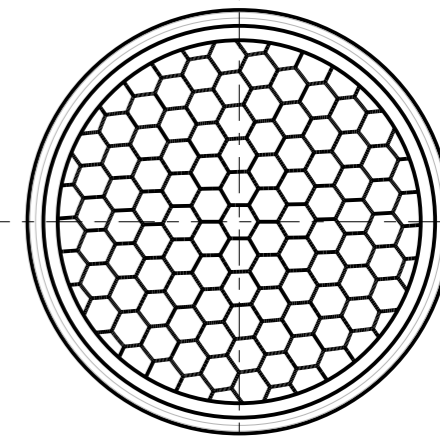
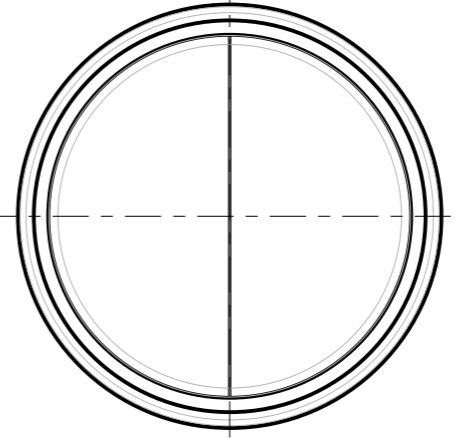
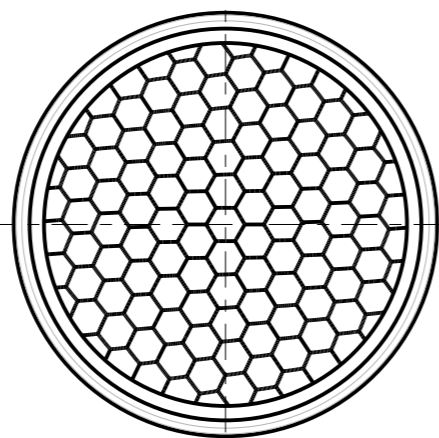
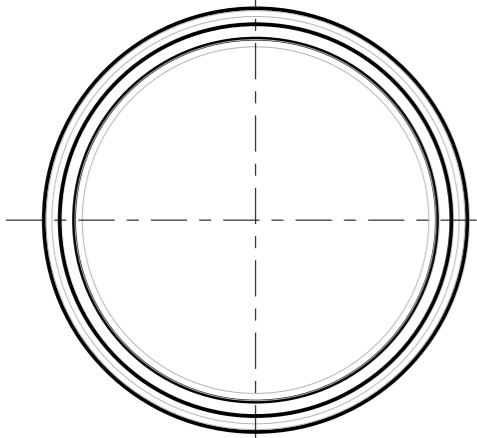
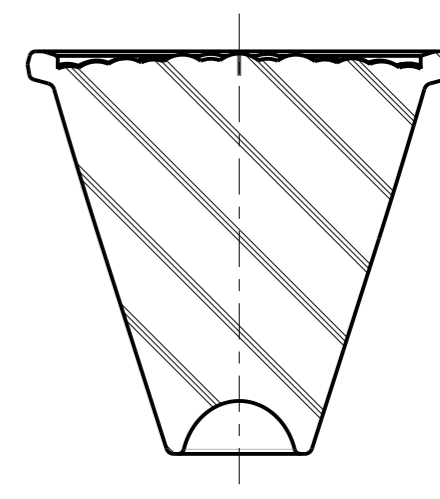
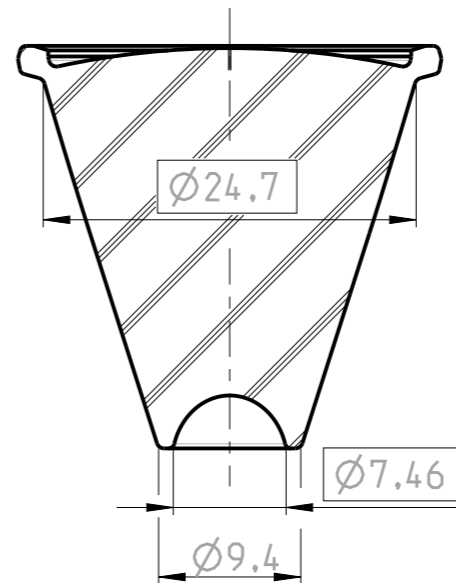
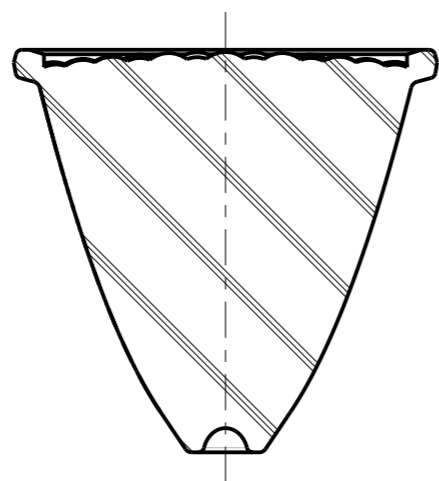
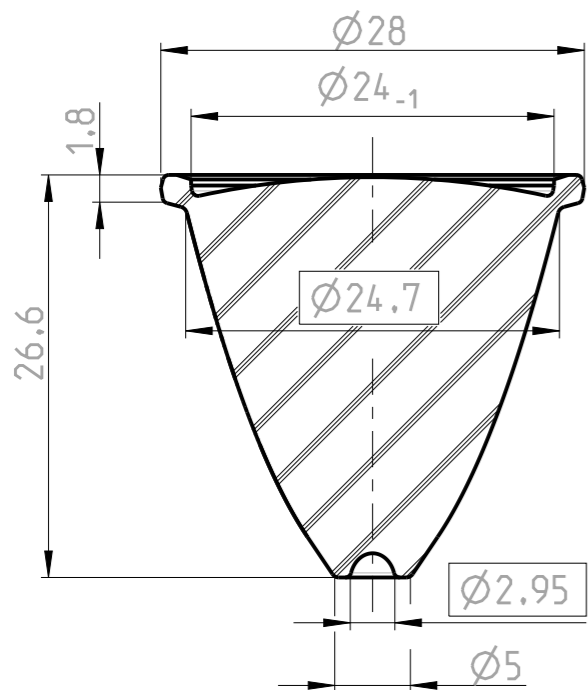


LED- cavity  $\varnothing 3$

LED- cavity  $\varnothing 7$



Spot 8°  
71110  
143 3195

Flood 25°  
71112  
143 3206

Spot 10°  
71114  
143 3207

Flood 30°  
71116  
143 3208

Description modified: 71110: Spot 8° was 10° 71112: Flood 25° was 30°	06-Sep-12	Günter
Änderung	Datum	Name

Scale	Material	Tolerances unless otherwise specified are $\pm 1\%$ , but minimum $\pm 0.5$ mm	
2:1	Borosili- categlass	15.5- 17g	LED Colimator Auer Standard
Formed	Date	Name	
Checked	29-Mar-12	Becker	
Auer Lighting GmbH Hildesheimersstrasse 35 D-37581 Bad Gandersheim Tel: +049 (0)5382 / 701-0 www.auer-lighting.com		Final part number (SAP) mentioned above	
Drawing number		Version	Project
71110_000_005_301		05	71110
AUER		A3	

This drawing is our property. Multigraphing and sending copies to third parties is punishable, bound to claim for damages and prosecution. (Copyright law, law against unfair competition, BGB). All rights reserved for patent application (§7 PG) or registered design (§5 GMG).