

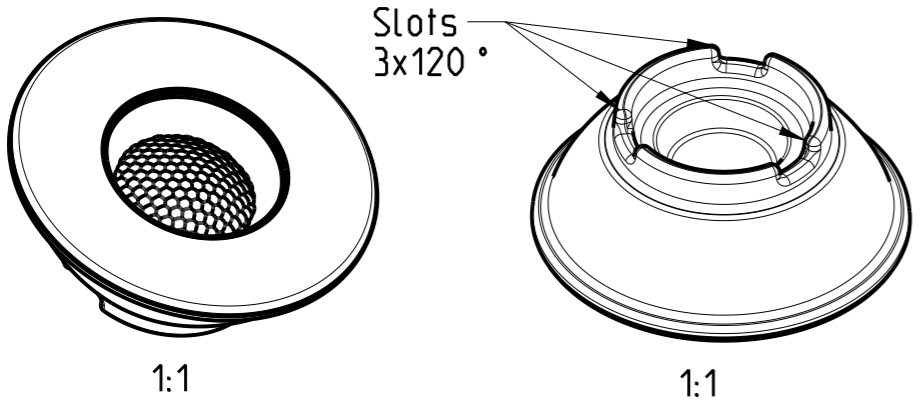
 Quality checked
 Constructional dimension
 Dimension for information only



New revision	09-Nov-15	Günter
Replaces concept drawing ae135_000_002_313	16-Sep-14	Günter
Modification	Date	Name

Scale	5:1 (1:1)	Material	SUPRAX® 8488	43g	Tolerances unless otherwise specified are ±1%, but minimum ±0.5 mm
Date	09-Dec-14	Name	Günter		
Formed	09-Dec-14				Lens JDR 50
Checked	09-Nov-15				Final part number (SAP)
					150 0654
				Drawing number	Version
				71472_000_001_413	01
				Project	
				71472	
				A3	



Auer Lighting GmbH
 Hildesheimersstrasse 35
 D-37581 Bad Gandersheim
 Tel: +049 (0)5382 / 701-0
 www.auer-lighting.com

This drawing is our property. Multigraphing and sending copies to third parties is punishable, bound to claim for damages and prosecution.
 (Copyright law, law against unfair competition, BGB). All rights reserved for patent application (§7 PG) or registered design (§5 GMG).