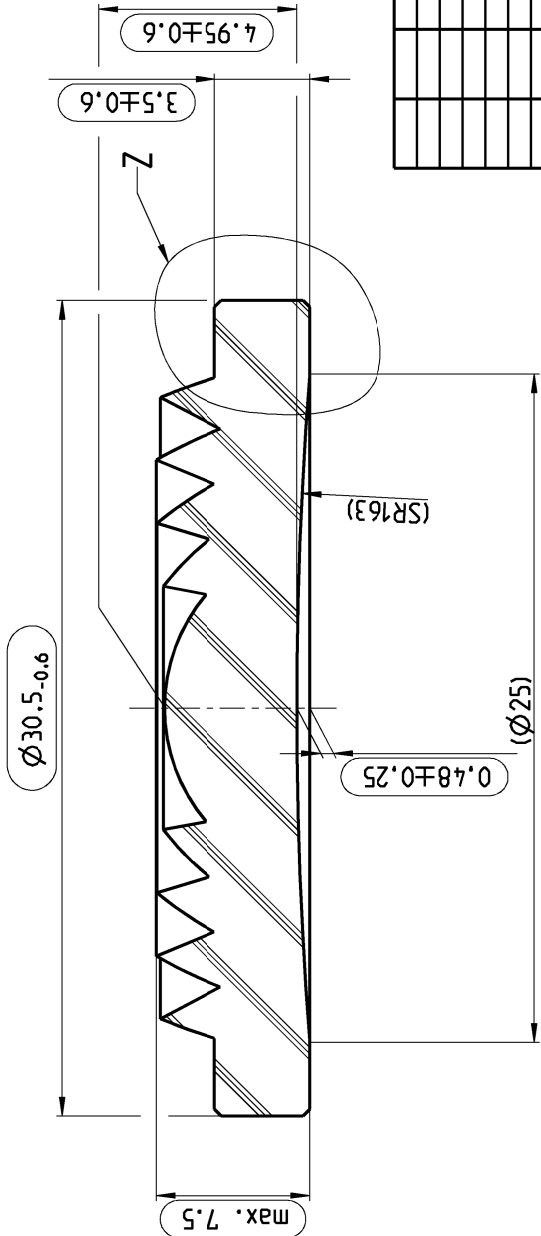
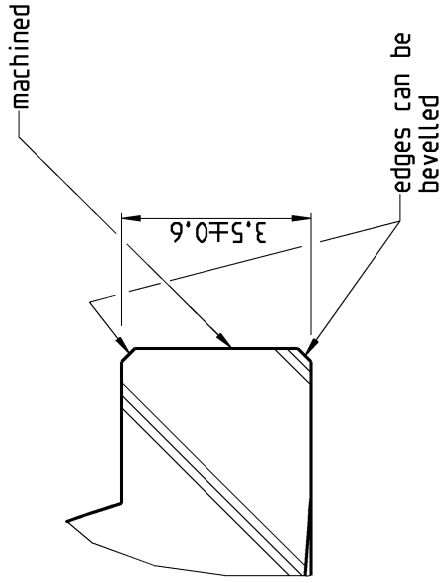
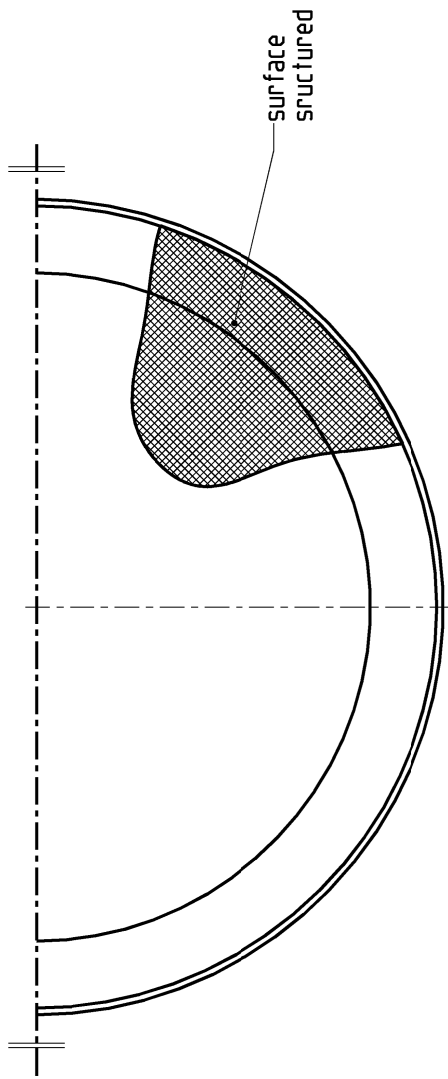


Z
10:1



147 9302	8.71614-R-AR	Yes
147 9301	8.71614-R	No
SAP No.	Mold No.	AR coating

Scale	Material	Weight	Tolerances unless otherwise specified are ±1%, but minimum ± 0.5 mm	
5:1	SUPRAX® 8488	7.1g	LED Fresnel Lens	
Date		Name	Ø30 / 30° repress	
14-Oct-13		Becker	Final part number (SAP) see Table	
Checked		15-Apr-14	Drawing number 71614r_000_005_r02	
Auer Lighting GmbH Hilfshelmstrasse 35 D-37581 Bad Gandersheim Tel: +49 05302 / 701-0 www.auer-lighting.com		Version Project 05 71614r		A3
This drawing is our property. Reproducing and sending copies to third parties is prohibited, based on claims for damages and prosecution. If copyright law is law applied, unfair competition, BGBB. All rights reserved for patent application (P) and/or registered design (G) (GK).		Final part number (SAP) see Table		

