

LED REFLECTOR LENS “JUPITER 70 – Wide”



Material number: 1501196

Glass: SUPRAX® 8488
Borosilicate Glass

Coating: dichroic

Diameter: 70 mm

Height: 50 mm

Packing unit: 1 pc

Weight: 92 g

Operating temperature: up to 400°C

Optics:

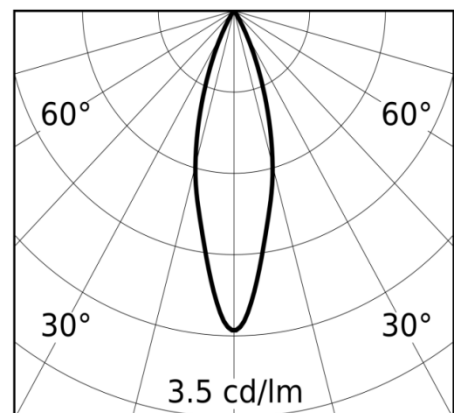
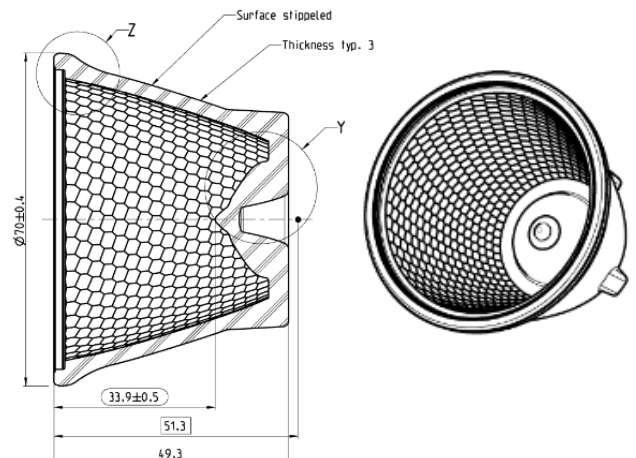
Beam Angle: 29°

Field Angle: 56°

CBCP: 2.9 cd/lm

LES: 9 mm

LEDs: e.g. Bridgelux, Citizen, Cree, Nichia, Osram, Philips



Customs tariff number: 70140000