

LED REFLECTOR LENS “JUPITER 50 - Medium”



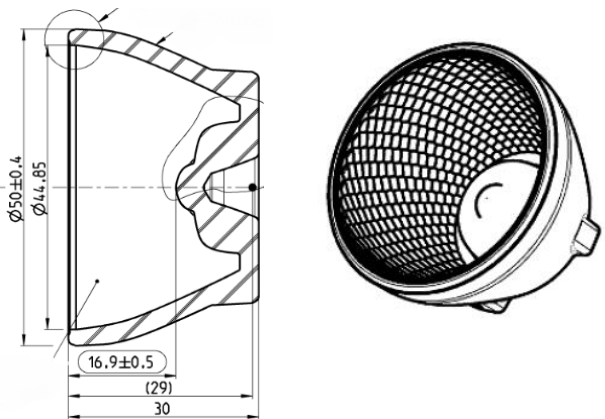
Material number: 1501188

Glass: SUPRAX® 8488
Borosilicate Glass

Coating: dichroic

Dimension: 50 mm

Height: 30 mm



Packing unit: 1 pc

Weight: 35 g

Operating temperature: up to 400°C

Optics:

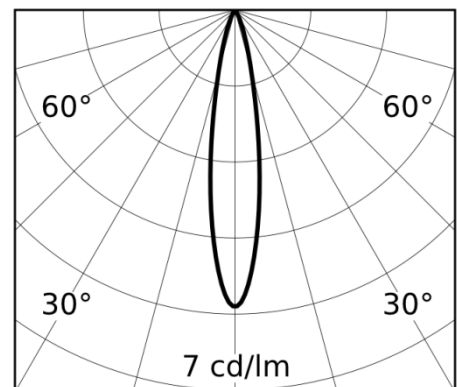
Beam Angle: 20°

Field Angle: 40°

CBCP: 5,5 cd/lm

LES: 6 mm

LEDs: e.g. Nichia, Cree, Osram, Bridelux, Citizen, Seoul



Customs tariff number: 70140000