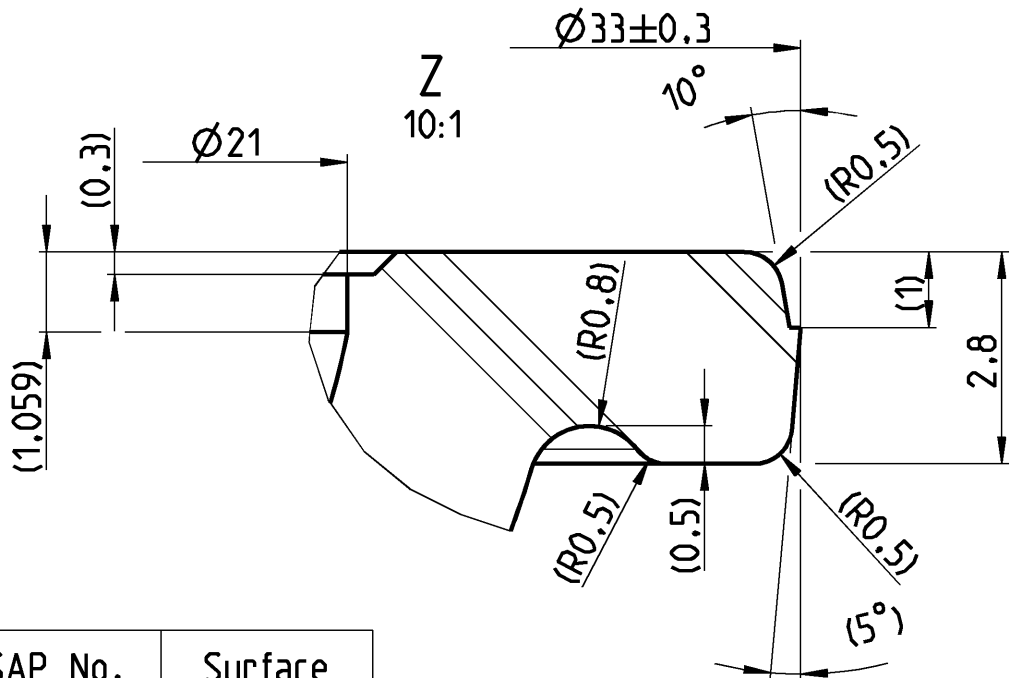
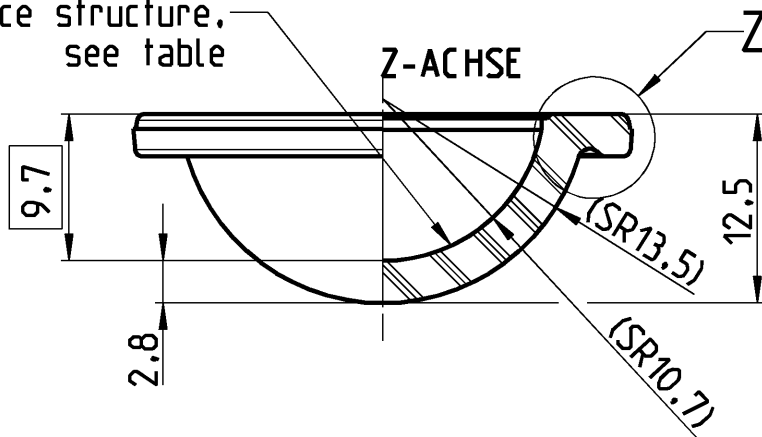


1

2

3

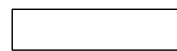
4

Surface structure,  
see table

Project No.	SAP No.	Surface
71245	148 4722	blank
71245s	148 4725	structured



Quality checked



Constructional dimension



Dimension for information only

D

E

F

Scale	Material	Weight
2:1 (10:1)	SUPRAX® 8488	7.2g
Date	Name	
Formed 16-May-13	Günter	
Checked 16-May-13		

Tolerances unless otherwise specified  
are  $\pm 1\%$ , but minimum  $\pm 0.5$  mm

LED Cover Dome

Final part number (SAP)

see table

Drawing number

71245\_000\_000\_403

Version Project

00

71245

Auer Standard



A4



Auer Lighting GmbH  
Hildesheimerstrasse 35  
D-37581 Bad Gandersheim  
Tel: +049 (0)5382 / 701-0  
www.auer-lighting.com

This drawing is our property. Multigraphing and sending copies to third parties is punishable, bound to claim for damages and prosecution.  
(Copyright law, law against unfair competition, BGB). All rights reserved for patent application (§7 PG) or registered design (§5 GdG).