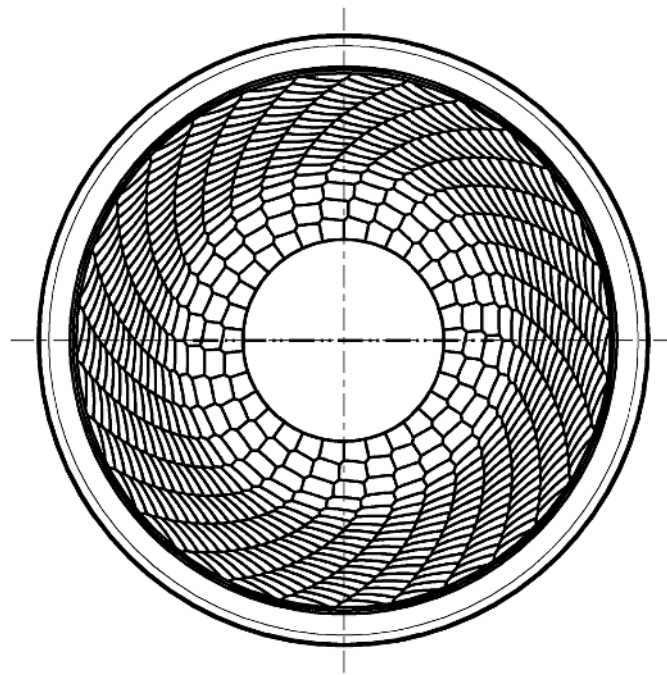
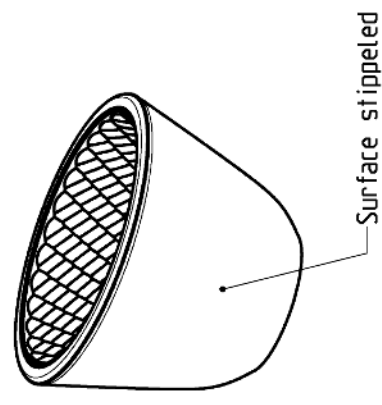


1:1



- Quality checked
- Constructional dimension
- Dimension for information only

Tolerances unless otherwise specified are $\pm 1\%$ , but minimum $\pm 0.5$ mm	
LED Reflector Topaz - 30°	
Final part number (SAP)	150 1543
Drawing number	71341_000_001_313
Version	01
Project	7134.1
Auer Standard	
Auer Lighting GmbH Hilfensheimstrasse 35 D-37561 Bad Gandersheim Tel: +049 05382 / 701-0 www.auer-lighting.com	
Scale	2:1 (5:1) (1:1)
Material	SUPRAX® 8488
Weight	44g
Date	09-Feb-16
Name	Günter
Formed	18-Mar-16
Checked	
<small>This drawing is our property. Reproducing and making copies is prohibited, based on claims for design and invention. Copyright law. Use against unfair competition. B08. All rights reserved for patent distribution (1) full or registered design (S 88).</small>	