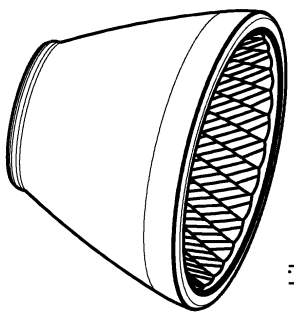
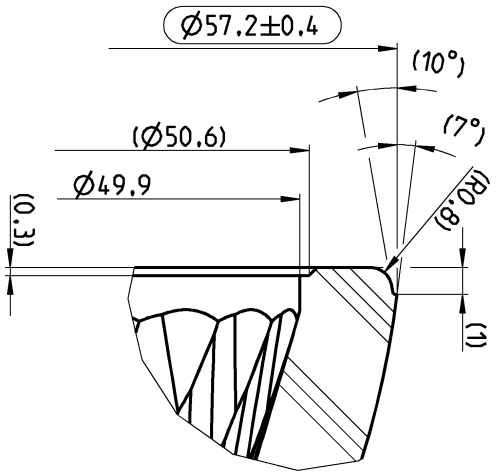
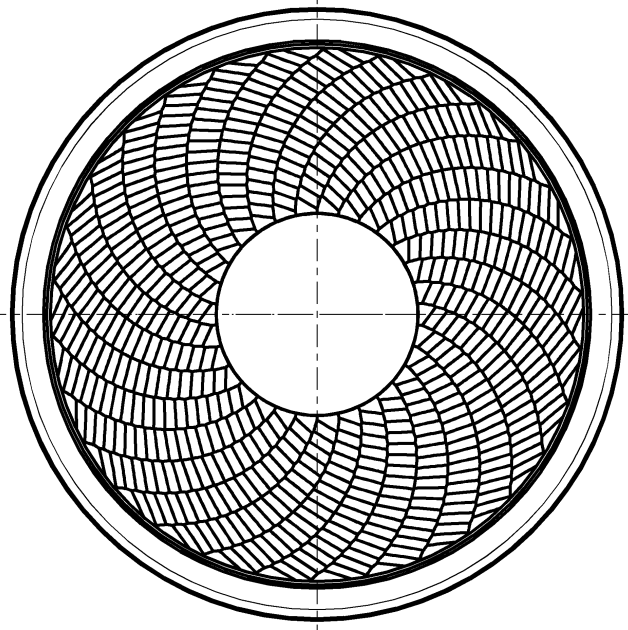


LED coordinate system



1:1

- Quality checked
- Constructional dimension
- Dimension for information only

Tolerances unless otherwise specified are  $\pm 1\%$ , but minimum  $\pm 0.5$  mm

LED Reflector  
Topaz - 10°

Final part number (SAP) 150 0073

Drawing number 71340\_000\_000\_313

Auer Standard

Scale	2:1 (5:1) (1:1)	Material	SUPRAX® 8488	Weight	45g
Formed	14-Oct-13	Name	Kahleri		
Checked	01-Nov-13				



Auer Lighting GmbH  
Hilfenheimerstraße 35  
D-37581 Bad Gandersheim  
Tel.: 049 005282 / 701-0  
www.auer-lighting.com

This drawing is our property. Multiplying and sending copies to third parties is prohibited, based to claim for damages and prosecution. Copyright law. The right shall remain with the manufacturer. 0001. All rights reserved for patent application (S) 780 or registered design (S) 0001.

