

GLASS REFLECTOR "RUBY"



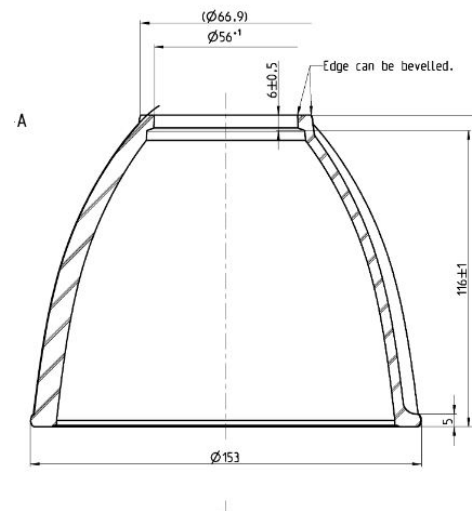
Material number: 1438826

Glass: SUPRAX® 8488
Borosilicate Glass

Diameter: 153 mm
Height: 122 mm
LED opening: 56 mm
Weight: approx. 680 g

Packing unit: 1 pc

Efficiency: 95 %
Operating temperature: up to 400°



Optics:

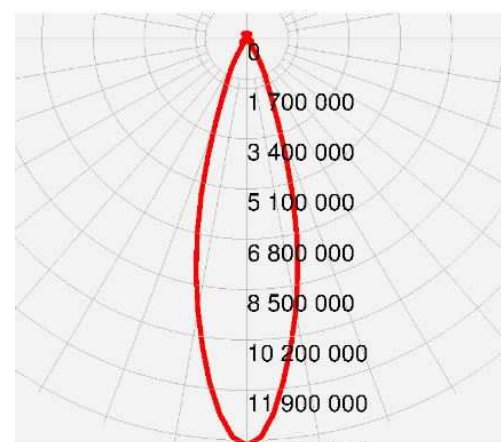
Application area

Low/medium spaces, sales rooms, lobbies, hotels, upscale presentation of goods.

Optical system

Rotational symmetric reflector of SUPRAX® glass with mainly direct lighting. Various illuminance distributions through variation of LED position.

LEDs: e.g. CREE XP-G/MC-E, Seoul
Z.Power, Luxeon Rebel,
Oslon SSL



Customs tariff number: 70111000