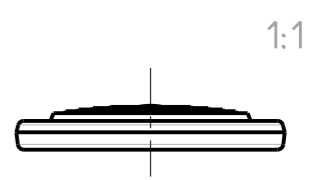
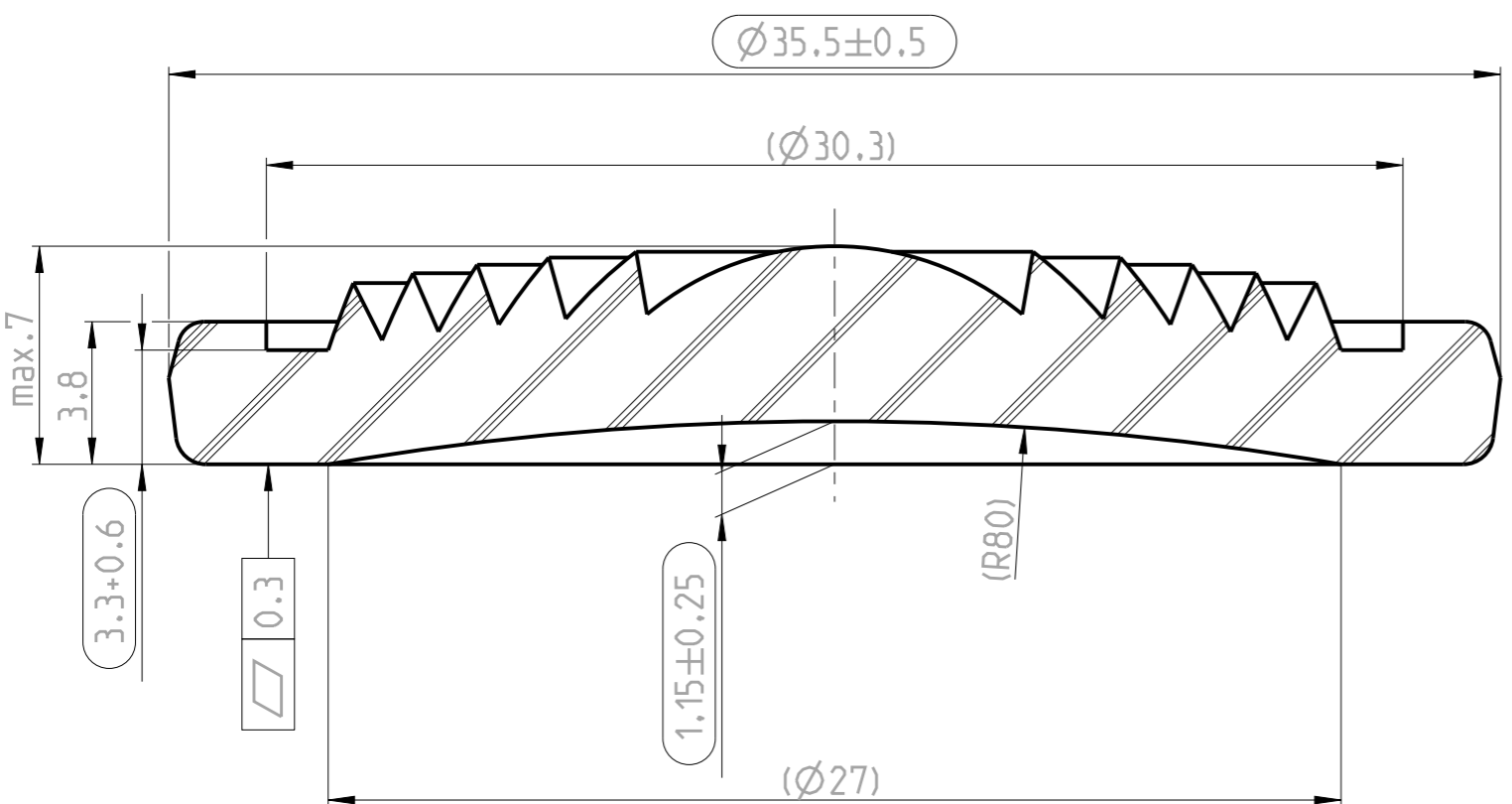


AR coated version:  
 clear - SAP No. 1441425  
 structured - SAP No. 1441426

Mold No.	SAP No.	Surface
46500b	140 0893	clear
46500e	140 0895	structured



Änderung	Datum	Name
Description 40° added	06-Sep-12	Günter
Flanschdicke 3.5 in 3.3+0.6	14-Feb-12	R.Becker
blank => clear slightly eroded => structured	07-Feb-12	R.Becker
Flanschdicke 3±0.4 in 3.5+0.6	03-Feb-12	R.Becker
Table added	22-Sep-11	Günter

Scale	5:1 (1:1)	Material	Borosilicateglass	Weight	8.4g	Tolerances unless otherwise specified are ±1%, but minimum ±0.5 mm				
Date	31-Aug-11	Name	Becker	LED Fresnel Ø36 - 40°			Final part number (SAP) mentioned above			
Formed	06-Sep-12	Auer Lighting GmbH Hildesheimersstrasse 35 D-37581 Bad Gandersheim Tel: +049 (0)5382 / 701-0 www.auer-lighting.com			Drawing number	46500_000_008_303	Version	08	Project	46500
Checked	Auer LIGHTING			auer	A3		This drawing is our property. Multigraphing and sending copies to third parties is punishable, bound to claim for damages and prosecution. (Copyright law, law against unfair competition, BGB). All rights reserved for patent application (§7 PG) or registered design (§5 GMG).			