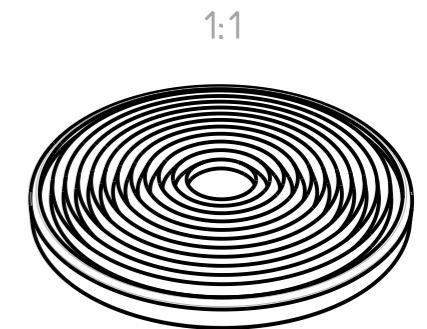
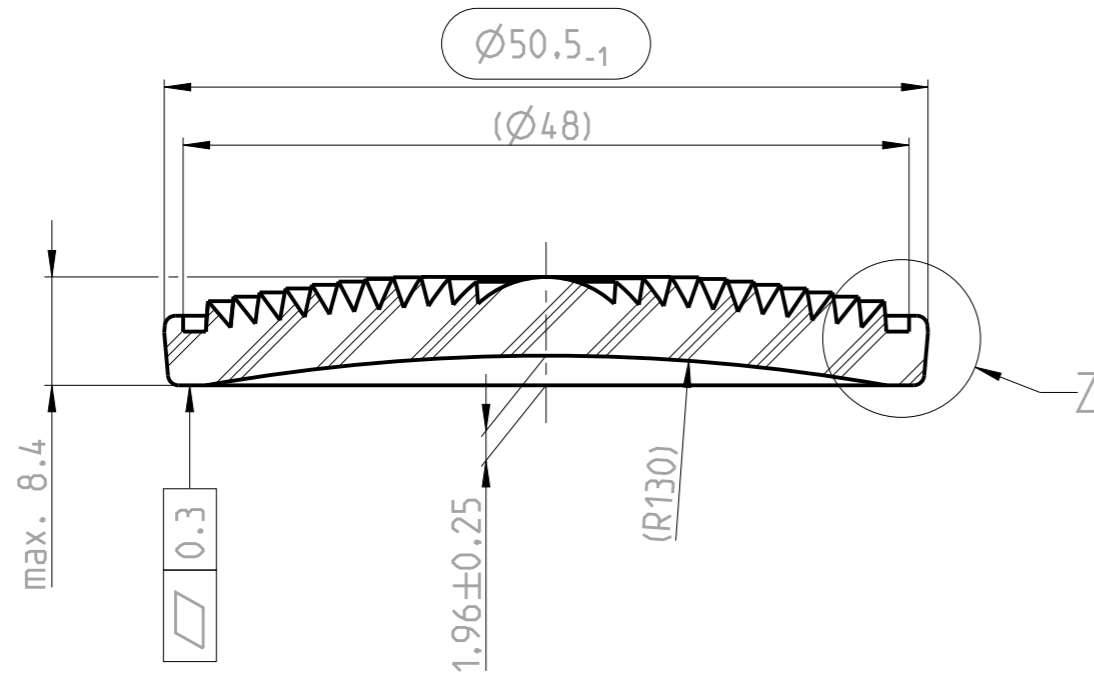
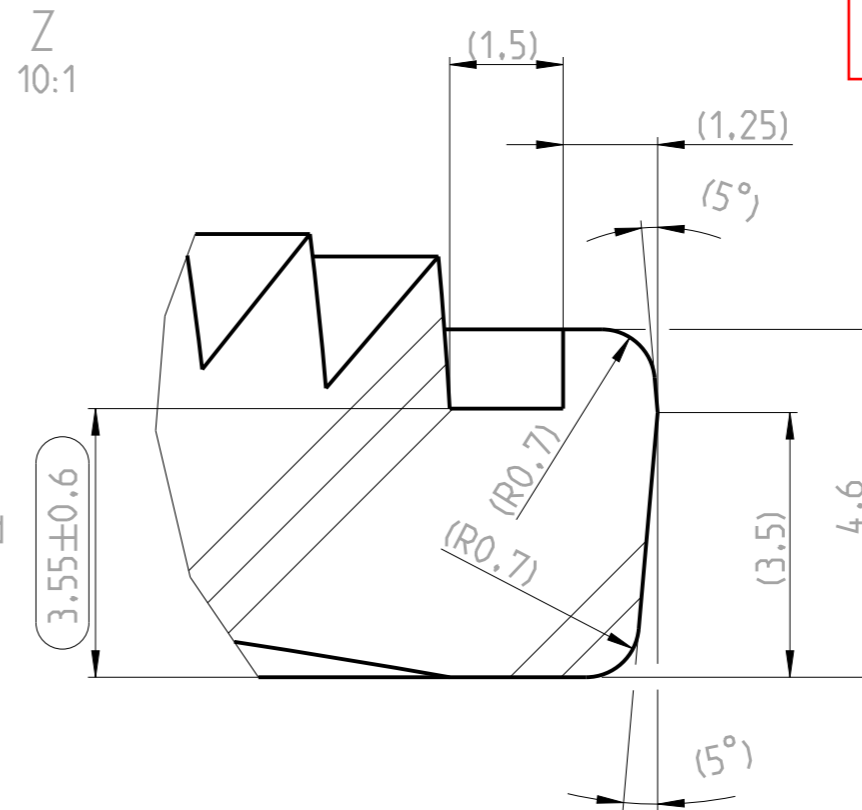


AR coated version SAP No. 1441422



Description 8° was 10°	06-Sep-12	Günter
max. 8.4 was (7.162)	07-Mar-12	Günter
Änderung	Datum	Name

Scale	2:1 (10:1) (1:1)	Material	Borosili- categlass	20.3g	Tolerances unless otherwise specified are ±1%, but minimum ± 0.5 mm
Date	20-Feb-12	Name	Günter		
Formed	06-Sep-12	Final part number (SAP)			142 2206
Checked	Drawing number			71616_000_002_302	Version Project
Auer Lighting GmbH Hildesheimersstrasse 35 D-37581 Bad Gandersheim Tel: +049 (0)5382 / 701-0 www.auer-lighting.com			Auer		02 71616
This drawing is our property. Multigraphing and sending copies to third parties is punishable, bound to claim for damages and prosecution. (Copyright law, law against unfair competition, BGB). All rights reserved for patent application (§7 PG) or registered design (§5 GMG).					A3