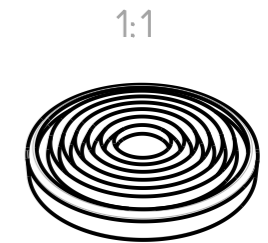
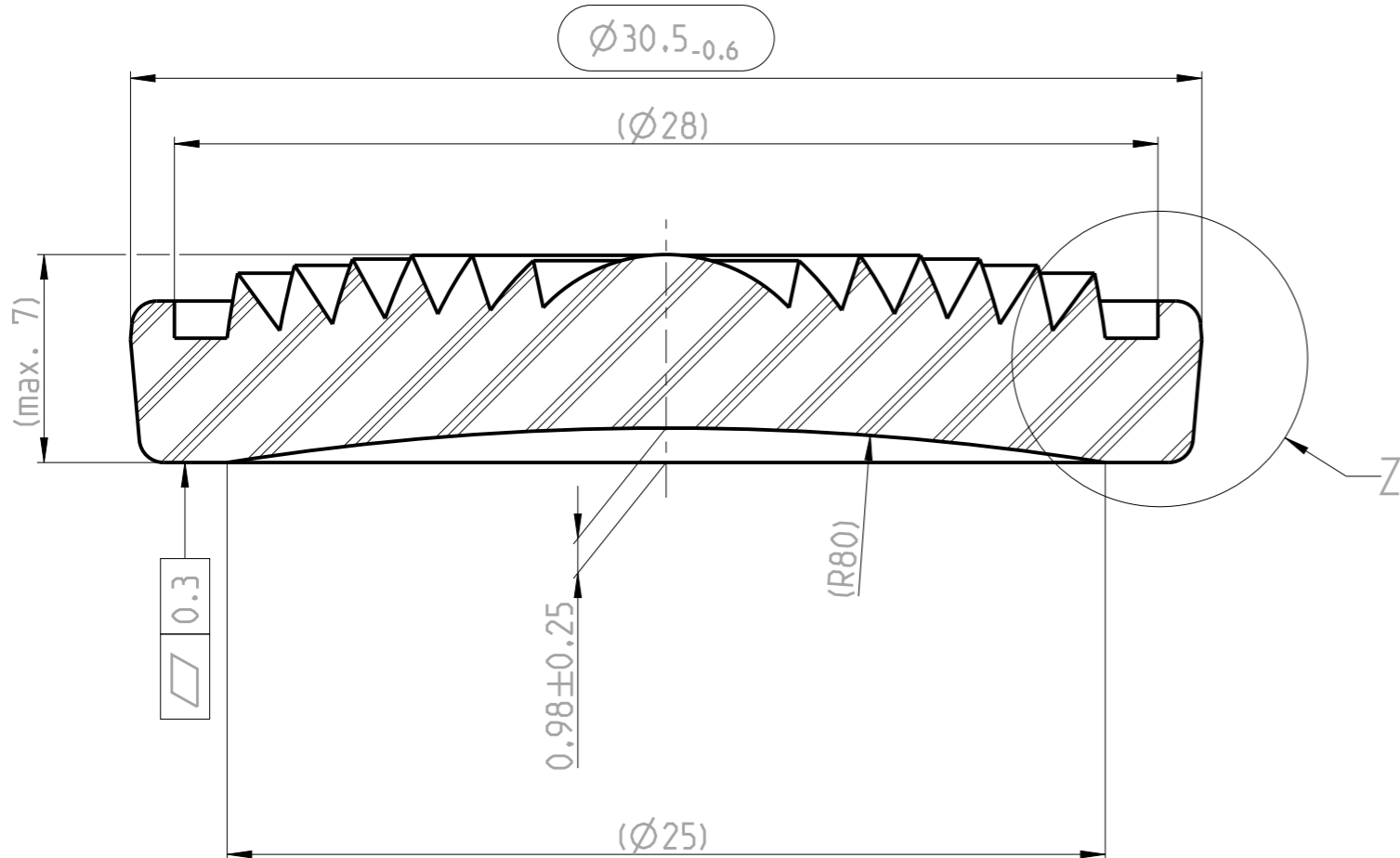
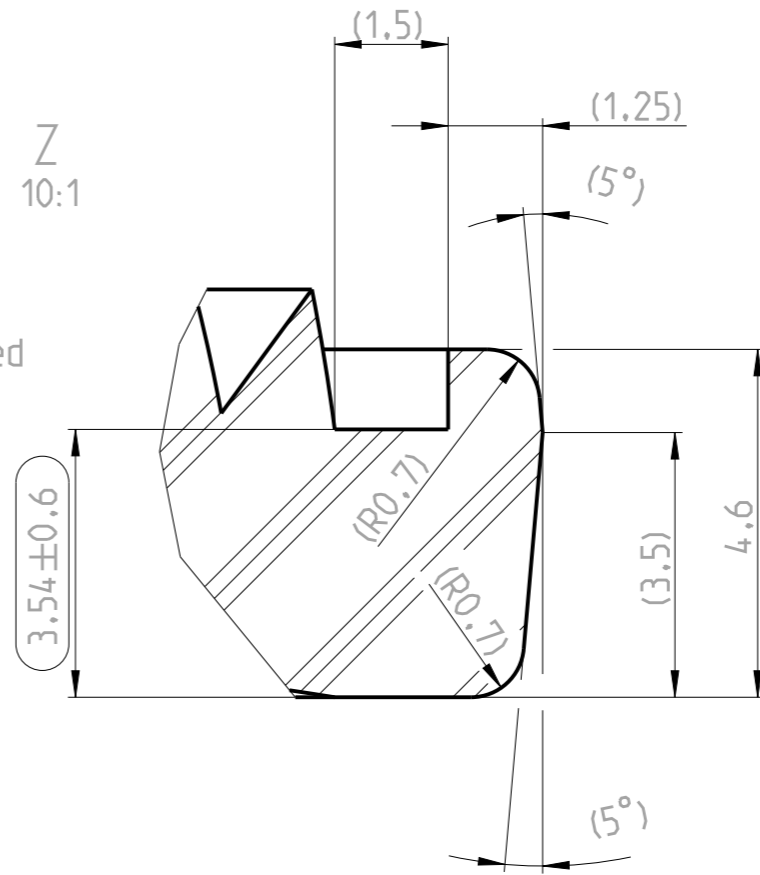


AR coated version SAP No. 1441416



Scale		Material		Tolerances unless otherwise specified are ±1%, but minimum ± 0.5 mm	
5:1 (10:1) (1:1)		Borosilicate glass		7.1g	
Date		Name		LED Fresnel Lens Ø30 / 10°	
20-Feb-12		Günter			
Checked		20-Feb-12		Final part number (SAP) 142 2215	
		Auer Lighting GmbH Hildesheimersstrasse 35 D-37581 Bad Gandersheim Tel: +049 (0)5382 / 701-0 www.auer-lighting.com		Drawing number 71610_000_000_302	
		Version 00		Project 71610	
Auer					

This drawing is our property. Multigraphing and sending copies to third parties is punishable, bound to claim for damages and prosecution. (Copyright law, law against unfair competition, BGB). All rights reserved for patent application (§7 PG) or registered design (§5 GMG).