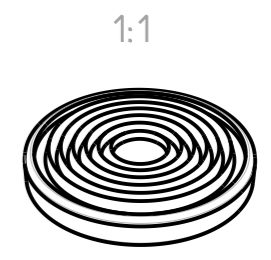
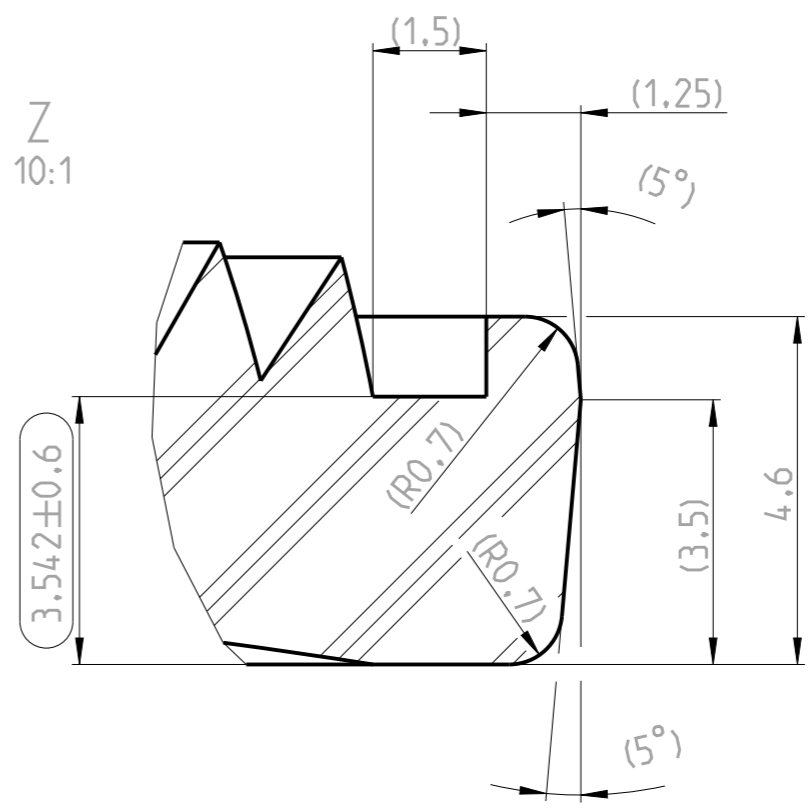
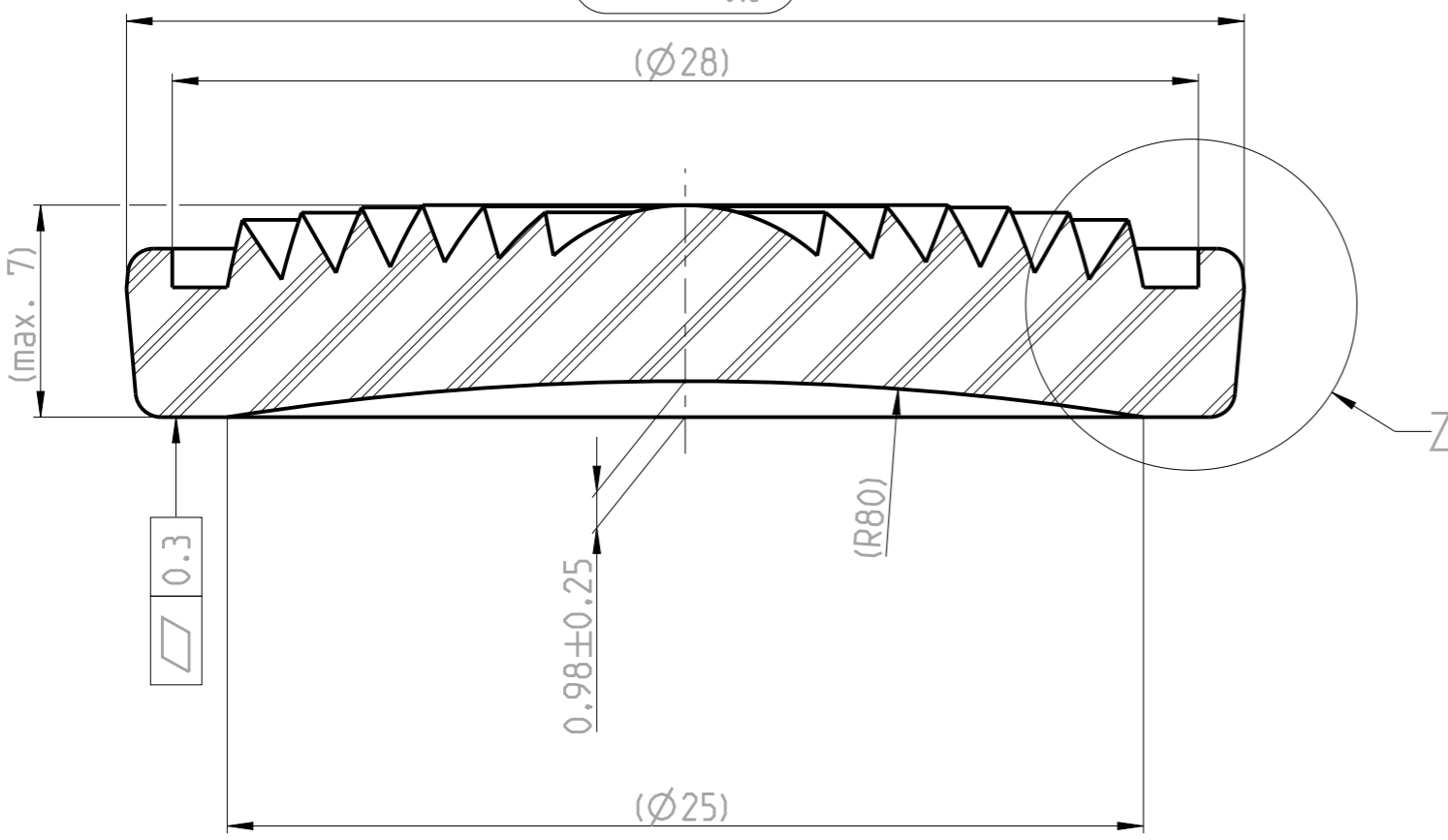


Ø30.5_{-0.6}



Scale		Material		Tolerances unless otherwise specified are ±1%, but minimum ± 0.5 mm
5:1 (10:1) (1:1)		Borosilicate glass		
Date		Name		LED Fresnel Lens Ø30 / 20°
20-Feb-12		Günter		
Checked		Final part number (SAP)		142 2216
20-Feb-12				
		Drawing number		Version Project 00 71612
		71612_000_000_302		
Auer Lighting GmbH Hildesheimersstrasse 35 D-37581 Bad Gandersheim Tel: +049 (0)5382 / 701-0 www.auer-lighting.com		Auer		

This drawing is our property. Multigraphing and sending copies to third parties is punishable, bound to claim for damages and prosecution. (Copyright law, law against unfair competition, BGB). All rights reserved for patent application (§7 PG) or registered design (§5 GMG).