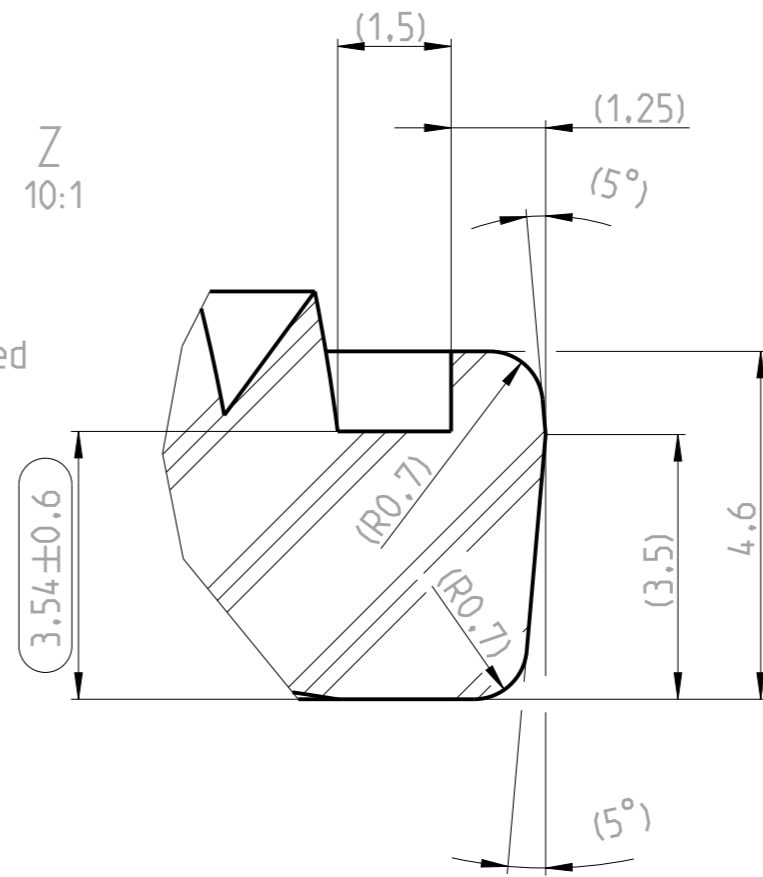
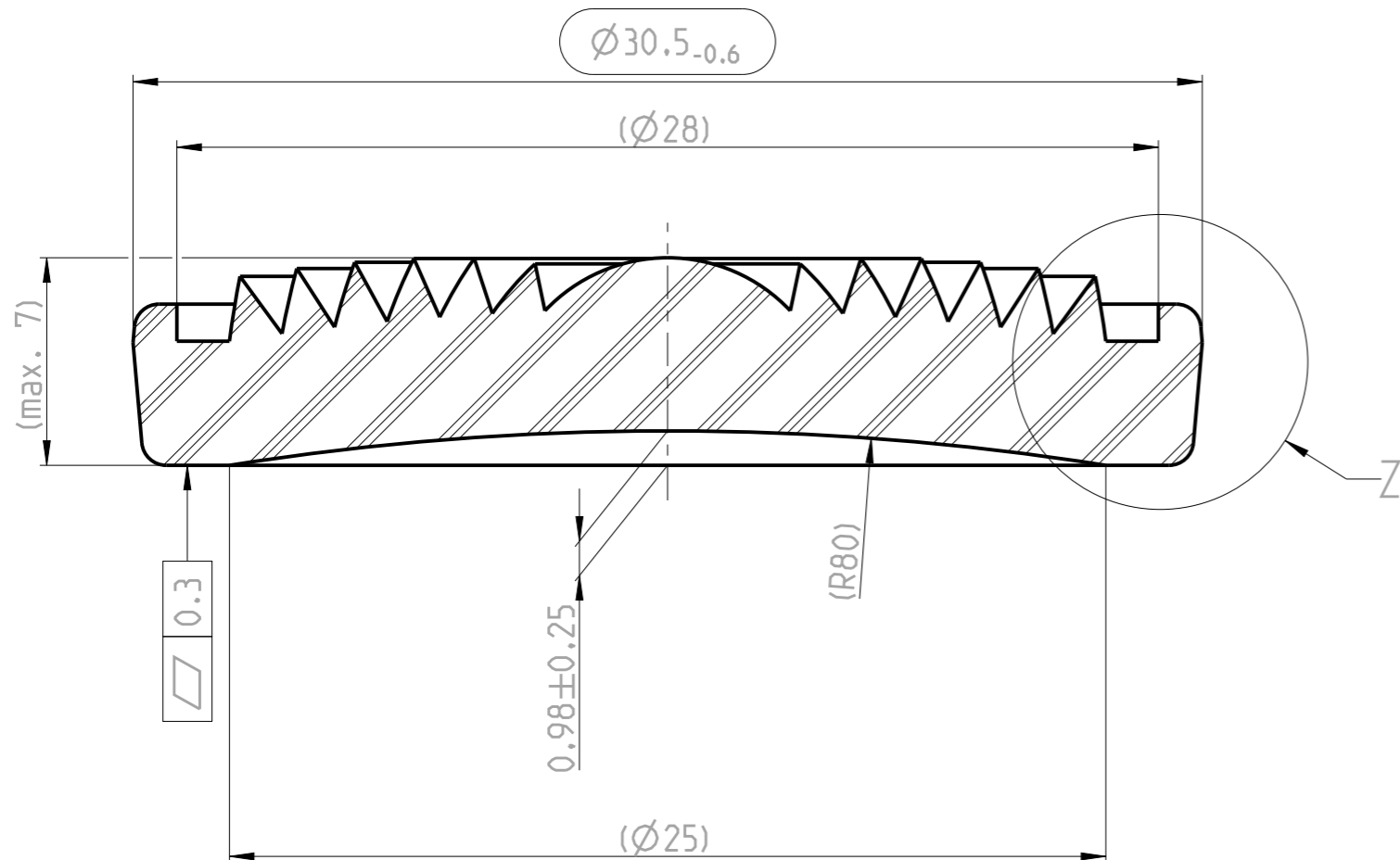
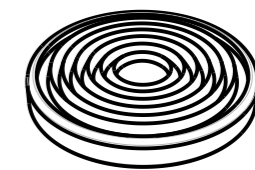


Surface structured

Z  
10:1



1:1



Scale		Material		Tolerances unless otherwise specified are ±1%, but minimum ± 0.5 mm	
5:1 (10:1) (1:1)		Borosilicate glass		7.1g	
Date		Name		LED Fresnel Lens Ø30 / 10°	
20-Feb-12		Günter			
Checked		20-Feb-12			
Auer Lighting GmbH Hildesheimersstrasse 35 D-37581 Bad Gandersheim Tel: +049 (0)5382 / 701-0 www.auer-lighting.com				Final part number (SAP) 142 2215	
Drawing number		Version		Project	
71610_000_000_302		00		71610	
Auer				A3	

This drawing is our property. Multigraphing and sending copies to third parties is punishable, bound to claim for damages and prosecution. (Copyright law, law against unfair competition, BGB). All rights reserved for patent application (§7 PG) or registered design (§5 GMG).