

LIGHT GUIDE ROME 2,6 – 39 MM MICROSTRUCTURE T5

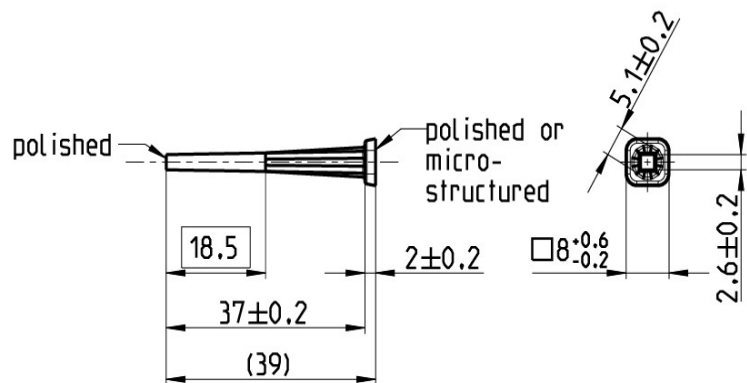


Material number: 1505473

Glass: SUPRAX® 8488
Borosilicate Glass

Length: 39 mm
Input aperture: 2,6 x 2,6 mm
Output aperture: 5,1 x 5,1 mm

Packing unit: 1 pc



Properties:

Polished input aperture, output aperture with microstructure T5*

Flange for easy mounting

Transmittance: up to 94%

Permanent operating temperature: 400°C

Efficiency option: AR coatings

Optics:

LEDs: e. g. OSRAM OSTAR S2WN,
S2W, LED Engin LZ4

Customs tariff number: 70140000

*T5: Auer standard, other structures on request