

LIGHT GUIDE ROME 2,8 – 69 MM

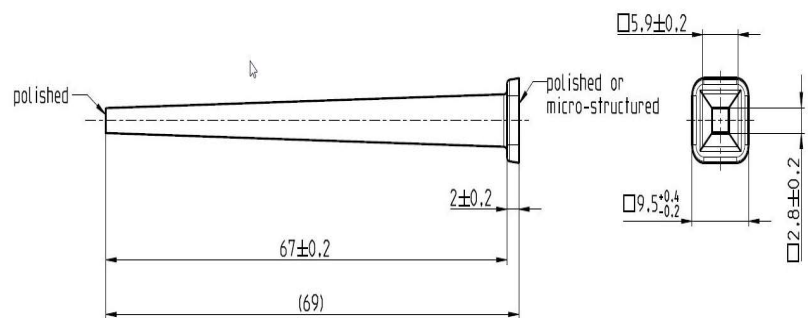


Material number: 1502525

Glass: SUPRAX® 8488
Borosilicate Glass

Length: 69 mm
Input aperture: 2,8 x 2,8 mm
Output aperture: 5,9 x 5,9 mm

Packing unit: 1 pc



Properties:

Polished input/output aperture
Flange for easy mounting
Transmittance: up to 94%
Permanent operating temperature: 400°C
Efficiency option: AR coatings

Optics:

LEDs: e. g. OSRAM OSTAR S2WN,
S2W, LED Engin LZ4

Customs tariff number: 70140000