

GLASS TIR LENS FOR LED – SPOT 8° LED CAVITY 3 MM



Material number: 1433195

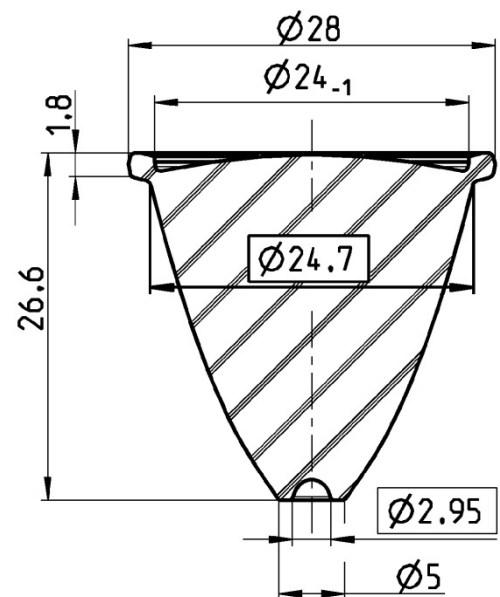
Glass- SUPRAX® 8488
Material: Borosilicate Glass

Diameter: 28 mm +/- 0,5 mm
Height: 26,6 mm +/- 0,5 mm

Packing unit: 1 pc

Weight: approx. 16 g
Operating temperature: up to 400°C
Transmittance: > 90 % (uncoated)

Applicable LEDs: e.g. Cree XP-G/MC-E, Seoul
Z-Power, Luxeon Rebel,
Oscon SSL



Customs tariff number: 70140000