

1

2

3

4

A

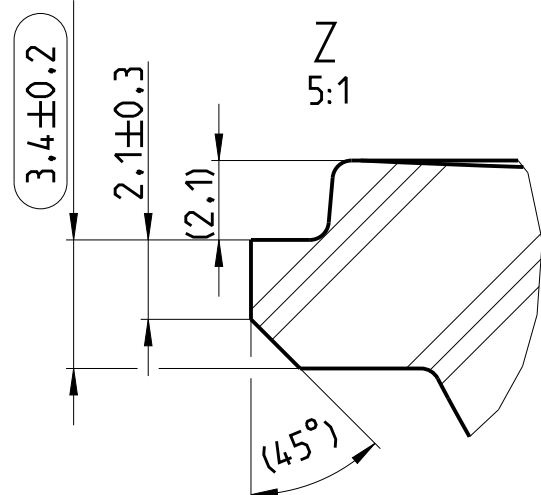
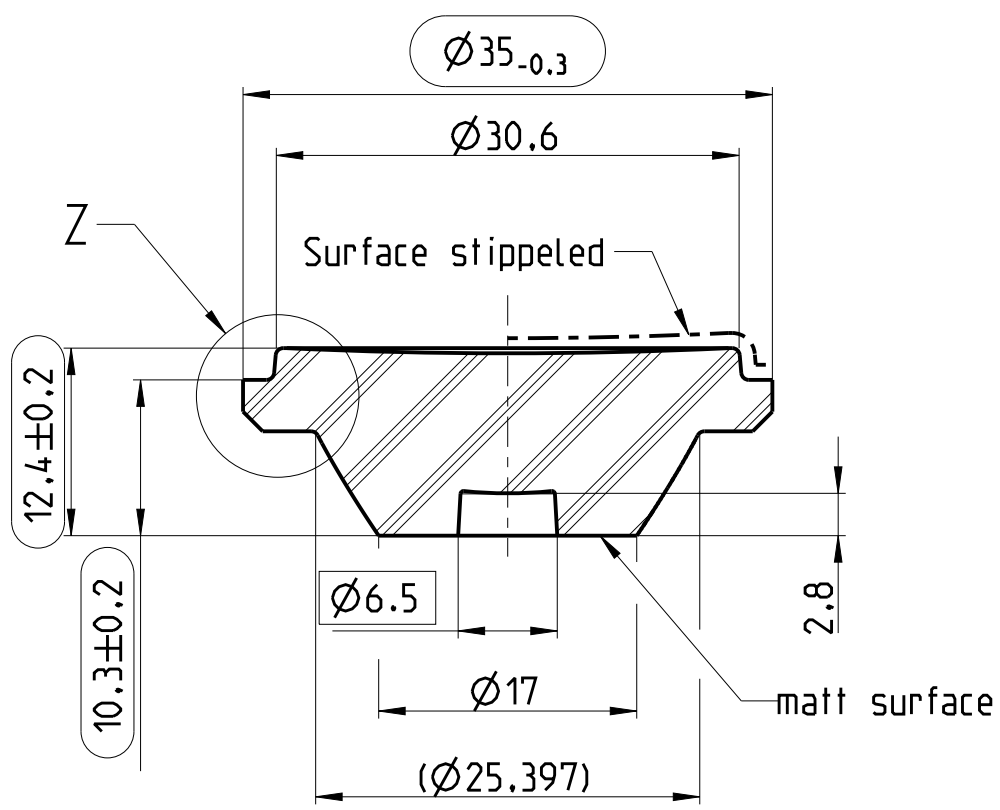
B

C

D

E

F



		Scale	Material	Tolerances unless otherwise specified are $\pm 1\%$ , but minimum $\pm 0.5$ mm	
		2:1 (5:1)	SUPRAX® 8488	1.7g	F NE TIR Lens LED-T Bern-UV $\varnothing 6.5/12^\circ$ based on 71115r [149 3490]
		Date	Name		
		Formed	14-Aug-13	Günter	Final part number (SAP)
		Checked	17-Feb-16		1501585
		Auer Lighting GmbH Hildesheimerstrasse 35 D-37581 Bad Gandersheim Tel: +049 (0)5382 / 701-0 www.auer-lighting.com		Drawing number	Version
				71115r_000_003_r03	03
				Auer Standard	Project
					71115r

This drawing is our property. Multigraphing and sending copies to third parties is punishable, bound to claim for damages and prosecution. (Copyright law, law against unfair competition, BGB). All rights reserved for patent application (§7 PG) or registered design (§5 GMG).