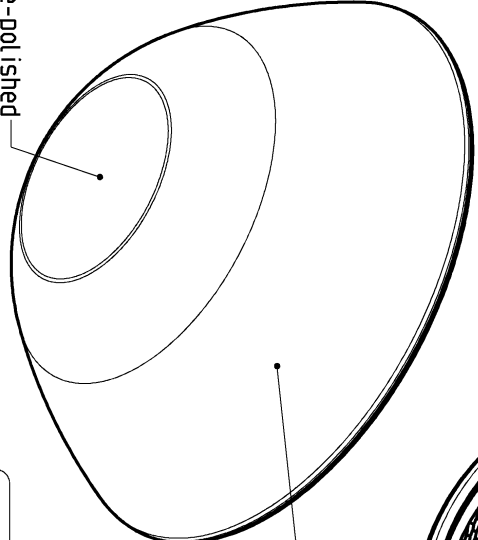


Thickness typ. 5...5.3
LED coordinate system

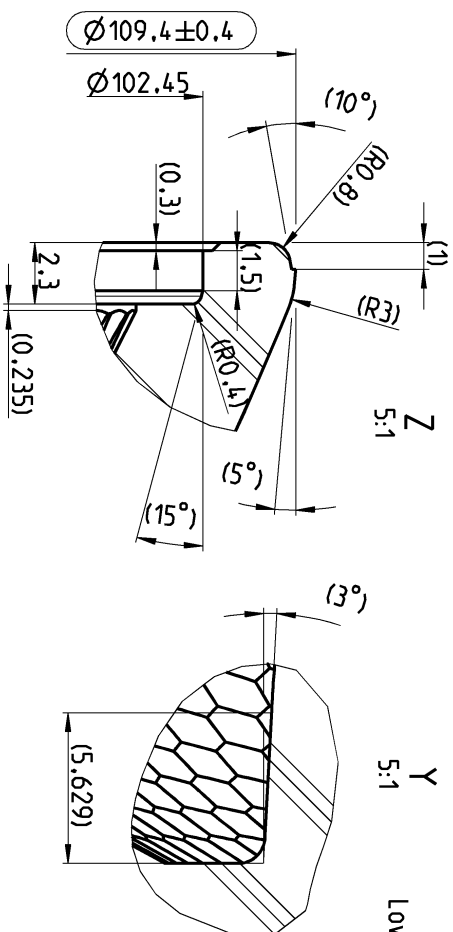
Z
5:1

Y
5:1

Lower side fine-polished



Surface stippled



- Quality checked
- Constructional dimension
- Dimension for information only

Tolerances unless otherwise specified are $\pm 1\%$, but minimum ± 0.5 mm

LED Reflector Lens
"Jupiter"

Final part number (SAP) 150 0188

Drawing number 7134.3_000_002_323

Auer Standard

Scale	Material	Name
1:1 (5:1)	SUPPAX® 8488	185g
Date	Name	
04-Dec-13	Günler	
Checked	06-Jan-14	



Auer Lighting GmbH
Hilfenbergstraße 35
D-37581 Bad Gandersheim
Tel.: 0519 005282 / 701-0
www.auer-lighting.com

This drawing is our property. Multiplying and sending copies to third parties is prohibited. Board to claim for damages and prosecution. Copyright law. The right shall remain with the manufacturer. All rights reserved for patent applications (P) and/or registered design (S) and/or.

