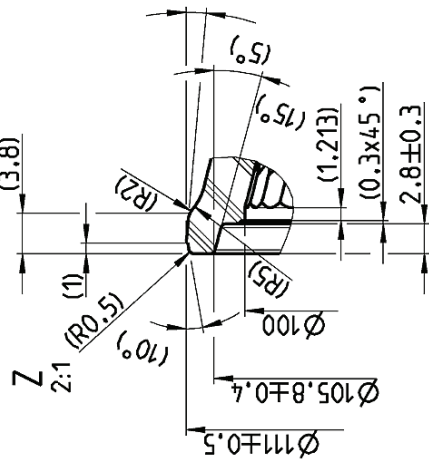
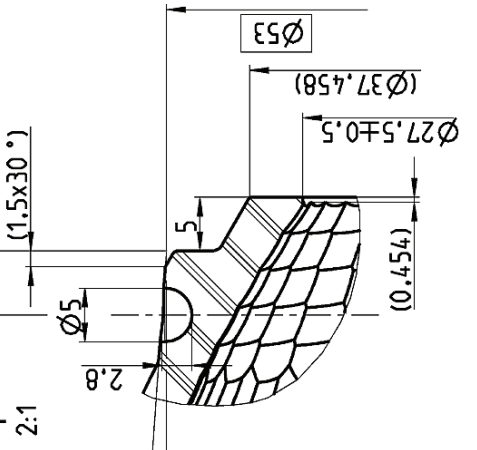
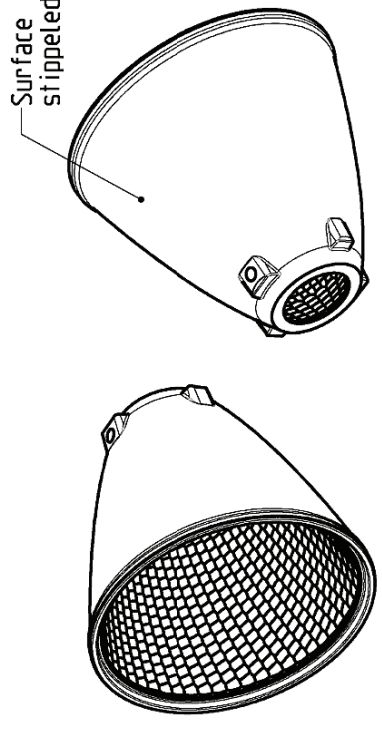
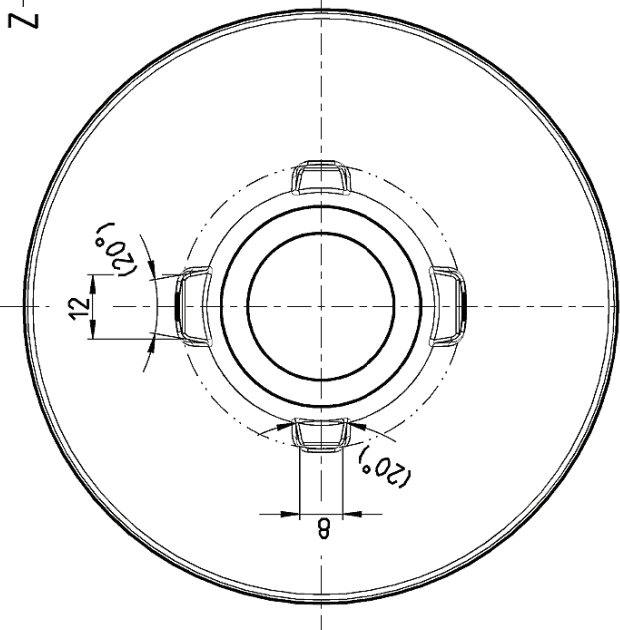
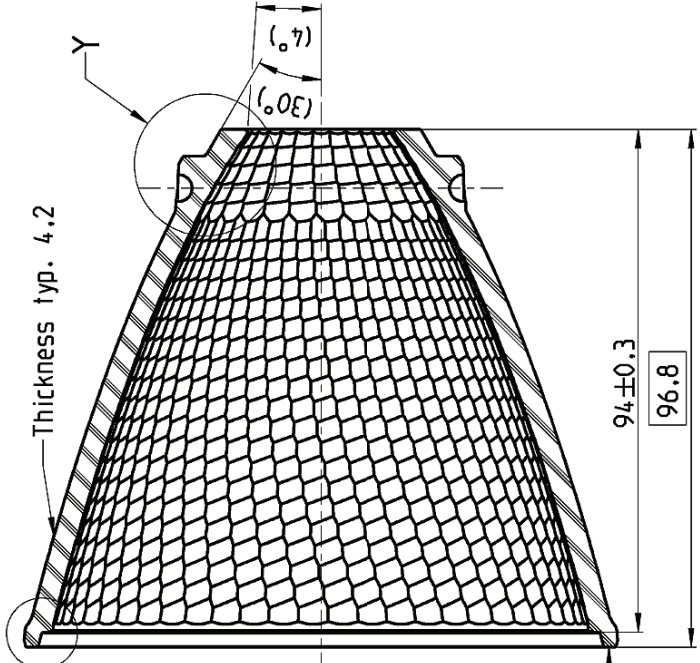


Thickness typ. 4.2



Scale		Material		Tolerances unless otherwise specified are ±1%, but minimum ±0.5 mm	
1:1	(2:1)	SUPRAX®	8488	236g	
(1:2)					
Date		Name		Reflector	
19-Jan-16		Günter		Color Mix	
Formed		Checked		Final part number (SAP)	
28-Jan-16		28-Jan-16		150 1528	
Drawing number		Version Project		Drawing number	
71380_000_000_a13		00 71380		71380_000_000_a13	
Auer Lighting GmbH		www.auer-lighting.com		A3	
Hilfstraße 35		D-37561 Bad Gandersheim			
Tel: +49 05392 701-0					

Quality checked
 Constructional dimension
 Dimension for information only



Replaces drawing No. ae368_000_001_a03
 Änderung
 28-Jan-16
 Günter
 Datum Name

This drawing is our property. Reproducing and using copies in third parties is prohibited, based on patent law and trademark protection. All rights reserved for patent application (EP) and registered design (GD).